

# OPERATING & SERVICE MANUAL

## 10811A/B Quartz Crystal Oscillator

General Information  
Installation  
Operation  
Performance Tests  
Adjustments  
Replaceable Parts  
Manual Changes  
Service



# **10811A/B QUARTZ CRYSTAL OSCILLATOR**

## **OPERATING AND SERVICE MANUAL**

### **SERIAL PREFIX: 2028**

This manual applies to Hewlett-Packard Model 10811A/B Oscillators with serial prefix number 2028.

Also covers oscillators with HP Part Numbers 10811-60101 and 10811-60105.

### **OTHER SERIAL PREFIXES**

For serial prefixes above 2028, a "Manual Change" sheet is included with this manual.

First Edition — August 1980

©Copyright 1980  
by  
HEWLETT-PACKARD COMPANY  
5301 Stevens Creek Blvd.  
Santa Clara, CA 95050

All Rights Reserved

MANUAL PART NUMBER 10811-90002  
Microfiche Part Number 10811-90003



## TABLE OF CONTENTS

Section	Title	Page
I	<b>GENERAL INFORMATION</b> .....	1-1
	1-1. Introduction .....	1-1
	1-4. Specifications .....	1-1
	1-6. Safety Considerations .....	1-1
	1-8. Instruments Covered by this Manual .....	1-1
	1-13. Description .....	1-3
	1-19. HP Part Number 10811-60101 and 10811-60105 .....	1-3
	1-22. Recommended Test Equipment .....	1-3
II	<b>INSTALLATION</b> .....	2-1
	2-1. Introduction .....	2-1
	2-3. Initial Inspection .....	2-1
	2-5. Preparation for Use .....	2-1
	2-6. Power Requirements .....	2-1
	2-10. Single Source Regulated Power Supply .....	2-2
	2-12. Electronic Frequency Control (EFC) .....	2-2
	2-16. 10 MHz Frequency Output Signal .....	2-2
	2-18. Oven Monitor Output .....	2-3
	2-20. Mating Connectors and Mounting .....	2-3
	2-23. Installation Instructions .....	2-4
	2-25. Installation Instructions (HP Instrument) .....	2-5
	2-28. Operating Environment .....	2-5
	2-34. Storage and Shipment .....	2-6
	2-35. Environment .....	2-6
	2-37. Packaging .....	2-6
	2-38. Original Packaging .....	2-6
	2-40. Other Packaging .....	2-6
III	<b>OPERATION</b> .....	3-1
	3-1. Introduction .....	3-1
	3-3. Basic Power-Up Description .....	3-1
	3-7. Frequency Adjustment .....	3-1
	3-9. Frequency Adjustment Procedure .....	3-1
	3-10. Accuracy vs Adjustment Interval .....	3-2
IV	<b>OPERATIONAL VERIFICATION</b> .....	4-1
	4-1. Introduction .....	4-1
	4-3. Operational Verification .....	4-1
	4-5. Equipment Required .....	4-1
	4-7. Test Record .....	4-1
	4-13. Optional Controllers and Counters .....	4-6
	4-14. Optional Controllers .....	4-6
	4-16. Optional Counters .....	4-7
V	<b>ADJUSTMENTS</b> .....	5-1
	5-1. Introduction .....	5-1
	5-3. Equipment Required .....	5-1
	5-5. Factory Selected Components .....	5-1
	5-7. Adjustment Location .....	5-1
	5-9. Safety Considerations .....	5-1
	5-11. Oscillator Frequency Adjustment .....	5-1
	5-14. Output Amplitude Adjustment .....	5-2

**TABLE OF CONTENTS (Continued)**

Page	Section	Title
6-1	VI	<b>REPLACABLE PARTS</b>
6-1		6-1. Introduction
6-1		6-3. Ordering Information
6-1		6-5. HP Part Number Organization
6-1		6-7. Component Parts and Materials
6-2		6-10. General Usage Parts
6-3		6-12. Specific Instrument Parts
6-3		6-14. Factory Selected Parts
6-3		6-20. Replaceable Parts List Layout
7-1		VII
7-1	7-1. Introduction	
7-1	7-3. Manual Changes	
7-1	7-5. Newer Instruments	
8-1	VIII	<b>SERVICE</b>
8-1		8-1. Introduction
8-1		8-3. Schematic Diagram Symbols and Reference Designators
8-1		8-5. Reference Designators
8-1		8-6. Theory of Operation
8-1		8-8. Overall Block Diagram Theory
8-1		8-13. Main Oscillator Theory of Operation
8-4		8-18. Electronic Frequency Control (EFC)
8-5		8-20. Automatic Gain Control (AGC)
8-6		8-23. RF Output Impedance Matching and Output Buffer
8-7		8-25. Voltage References (5.7V and 6.4V)
8-7		8-27. Oven Heater and Controller Theory
8-8		8-35. Precision Voltage Reference
8-9		8-37. Oven Controller Turn-On Current Limiting
8-10		8-39. Heater Transistor Balance
8-11		8-41. Repair and Troubleshooting
8-11		8-42. Inspection
8-11		8-44. Repair
8-11		8-45. Printed Circuit Component Replacement
8-11		8-47. Replacing Integrated Circuits
8-12		8-50. Troubleshooting
8-13		8-57. Disassembly for Troubleshooting and Repair
8-14		8-61. Special Test Connector for 10811A
8-15		8-65. Special Cable for the 10811B
8-15		8-67. Special Parts Replacement Considerations
8-17		8-69. Oven Controller Troubleshooting
8-17		8-70. General
8-18		8-74. Normal Operation
8-18		8-76. Troubleshooting
8-18		8-80. Troubleshooting Cautions
8-18		8-82. Flex Damage
8-20		8-84. Oscillator Troubleshooting
8-20		8-86. Normal Operation
8-20		8-88. Oscillator Troubleshooting Techniques
8-20		8-91. Helpful Hints
8-21		8-92. Troubleshooting Information

## LIST OF TABLES

Table	Title	Page
1-1.	Specifications .....	1-2
1-2.	Recommended Test Equipment .....	1-4
2-1.	Input Voltages/Voltage Coefficients .....	2-1
3-1.	Accuracy vs Adjustment .....	3-3
4-1.	Operational Verification Descriptions .....	4-2
4-2.	Operation Verification Procedure .....	4-3
4-3.	5316A Program Codes .....	4-7
4-4.	Operational Verification Record .....	4-9
6-1.	Replaceable Parts .....	6-4
6-2.	Manufacturers Code List .....	6-9
8-1.	Temperature Set Resistor List .....	8-16
8-2.	Oven Controller Troubleshooting Tree .....	8-19
8-3.	Oven Circuit Voltages .....	8-24
8-4.	Oscillator Section Normal Voltages .....	8-24

## LIST OF FIGURES

Figure	Title	Page
2-1.	Single Source Regulated Power Supply .....	2-2
2-2.	Oven Monitor LED Circuit .....	2-3
2-3.	10811A Supply and Output Connections .....	2-3
2-4.	10811B Supply and Output Connections .....	2-4
2-5.	Mechanical Mounting Dimensions .....	2-5
3-1.	Oscillator Adjustment Set-Up .....	3-2
4-1.	BASIC Program .....	4-6
4-2.	HPL Program .....	4-6
4-3.	5316A Program Codes .....	4-7
4-4.	Operational Verification Record .....	4-9
5-1.	Oscillator Adjustment Set-up .....	5-2
5-2.	10811A Amplitude Adjustment Set-up .....	5-4
5-3.	10811B Amplitude Adjustment Set-up .....	5-4
6-1.	Mechanical Parts .....	6-7
8-1.	Schematic Diagram Notes .....	8-2
8-2.	10811A/B Overall Block Diagram .....	8-3
8-3A.	Basic Colpitts-Type Oscillator .....	8-4
8-3B.	Main Oscillator Schematic Design .....	8-4
8-4.	Mode Suppression .....	8-5
8-5.	Frequency Tuning Circuit .....	8-5
8-6.	EFC .....	8-6
8-7.	Automatic Gain Control (AGC) .....	8-6
8-8.	Output Amplifiers .....	8-7
8-9.	Voltage References .....	8-8
8-10.	Oven Control Circuits .....	8-9
8-11.	Turn-on Current Limit Circuit .....	8-10
8-12.	Heater Transistor Balance Circuit .....	8-10
8-13.	10811A/B Special Test Connector .....	8-14
8-14.	Oven Controller Block Diagram .....	8-17
8-15.	Oven Controller Schematic Diagram .....	8-25

## PREFACE

This manual is designed to present the information required by the user to effectively operate and maintain the 10811A/B Quartz Crystal Oscillator.

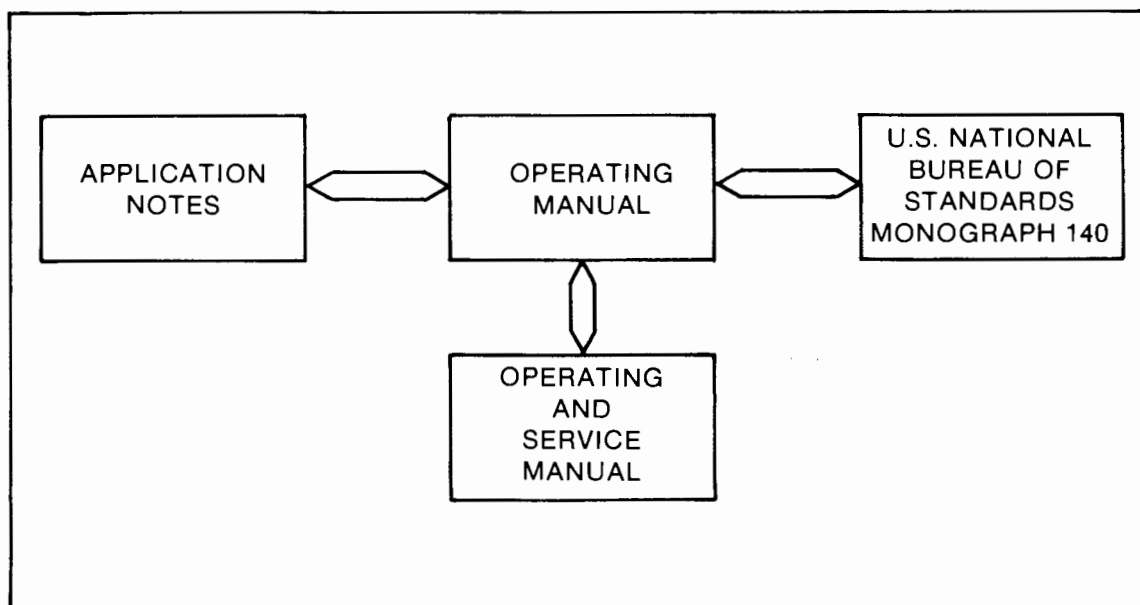
In limiting the depth of coverage of this manual, a certain amount of previous knowledge on the part of the reader must be assumed. A variety of additional related documentation is available. These materials address the specific areas of interest, and should be used whenever necessary to supplement this manual. Users unfamiliar with precision time keeping and frequency standards, for example, may wish to refer to the 10811A/B Documentation Map for further information.

The following references can provide additional information about the theory and use of precision frequency sources and quartz oscillators.

- a. Application Note 52-1 Hewlett-Packard Fundamentals of Time and Frequency Standards.
- b. Application Note 52-2 Hewlett-Packard Time Keeping and Frequency Calibration.
- c. Application Note 200-2 Hewlett-Packard Fundamentals of Quartz Oscillators.
- d. U.S. National Bureau of Standards, Monograph 140, Time and Frequency Theory and Fundamentals available from:

Superintendent of Documents  
U. S. Government Printing Office  
Washington, D.C. 20402

The 10811A/B Quartz Crystal Oscillator has two manuals available. The Operating Instruction Manual is supplied with the oscillator and is intended for the user that desires only operating information. The Operating and Service Manual is a complete document containing both operating and servicing information. The Operating and Service Manual is not supplied with the oscillator, but is available by ordering HP Part No. 10811-90002. The Operating Instructions Manual is a duplication of Sections I, II, and III of the Operating and Service Manual. Any references in the Operating Instructions Manual to Sections IV, V, VI, VII, and VIII should be considered references to the Operating and Service Manual.



10811A/B Documentation Map

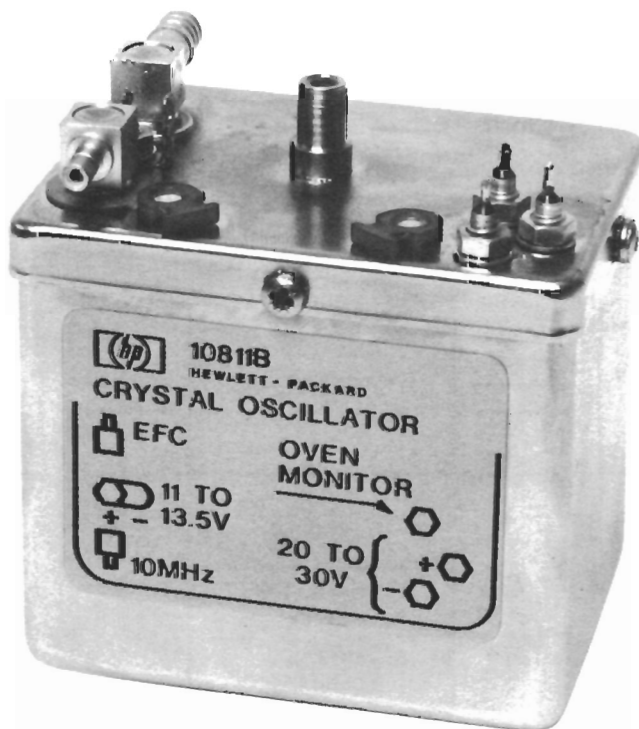


Figure 1-1. 10811A and 10811B Oscillators



## SECTION I GENERAL INFORMATION

### 1-1. INTRODUCTION

1-2. This manual provides information pertaining to the installation, operation, testing, adjustment, and maintenance of the HP Model 10811A/B Quartz Crystal Oscillator. *Figure 1-1* shows the 10811A and 10811B.

1-3. This manual is divided into eight sections, each covering a particular topic. The topics by section number are shown below. Sections I, II, III appear in the Operating Instructions Manual. Sections I through VIII appear in the Operating and Service Manual.

Section	Topic
I	General Information
II	Installation
III	Operation
IV	Performance Tests
V	Adjustments
VI	Replaceable Parts
VII	Manual Changes
VIII	Service

### 1-4. SPECIFICATIONS

1-5. Specifications are listed in *Table 1-1*. These specifications are the performance standards or limits against which the oscillator may be tested.

### 1-6. SAFETY CONSIDERATIONS

1-7. The Model 10811A/B Component Oscillator is a Safety Class III product and must be powered from a source which is electrically isolated from the mains (line circuits). Safety information pertinent to the operation and servicing of this instrument is included in the appropriate sections of this manual.

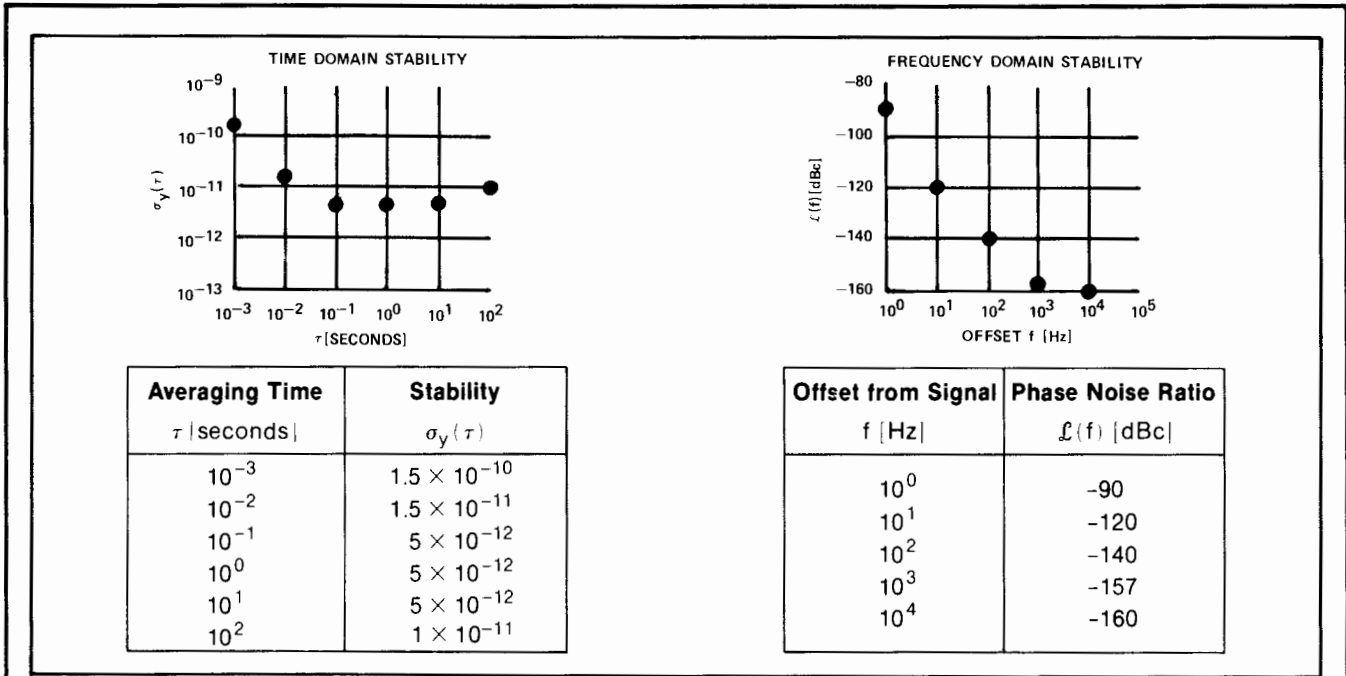
### 1-8. INSTRUMENTS COVERED BY THIS MANUAL

1-9. Attached to the instrument is a serial number plate. The serial number is in the form 0000A00000. It is in two parts; the first four digits and the letter are the serial prefix and the last five are the suffix. The prefix is the same for all identical instruments; it changes only when a change is made to the instrument. The suffix, however, is assigned sequentially and is different for each instrument. The contents of this manual apply to instruments with the serial number prefix(es) listed under Serial Prefix on the title page.

1-10. An instrument manufactured after the printing of this manual may have a serial number prefix that is not listed on the title page. This unlisted serial number prefix indicates the instrument is different than those described in this manual. The manual for this new instrument is accompanied by a yellow Manual Changes supplement. This supplement contains "change information" that explains how to adapt the manual to the newer instrument.

1-11. In addition to change information, the supplement may contain information for correcting errors in the manual. To keep this manual as current and accurate as possible, Hewlett-Packard recommends that you periodically request the latest Manual Changes supplement. The supplement for this manual is identified with the manual print date and part number, both of which appear on the manual title page. Complimentary copies of the supplement are available from Hewlett-Packard.

Table 1-1. Specifications



**Frequency Stability:** (See Definition of Terms)

**Long Term (Aging Rate):**  $<5 \times 10^{-10}$ / day after 24-hour warm-up. See Note 1.

$<1 \times 10^{-7}$ /year for continuous operation.

**Short Term:** Refer to tables and figures above.

**Environmental Sensitivity:**

**Temperature:**  $<4.5 \times 10^{-9}$  over a  $-55^\circ\text{C}$  to  $71^\circ\text{C}$  range.  $<2.5 \times 10^{-9}$  over a  $0^\circ\text{C}$  to  $71^\circ\text{C}$  range.

**Operating:**  $-55^\circ\text{C}$  to  $+71^\circ\text{C}$ .

**Storage:**  $-55^\circ\text{C}$  to  $+85^\circ\text{C}$ .

**Load:**  $<5 \times 10^{-10}$  for a  $\pm 10\%$  change in 50 ohm load.  $<5 \times 10^{-10}$  for a  $\pm 25\%$  change in 1K $\Omega$  load.

**Power Supplies:**

**Oscillator Supply:**  $<2 \times 10^{-10}$  for 1% change.  $<100\mu\text{v}$  ripple and noise required.

**Oven Supply:**  $<1 \times 10^{-10}$  for 10% change.  $<30$  mv ripple and noise required.

**Gravitational Field:**  $<4 \times 10^{-9}$  for 2g static shift (turn-over).

**Magnetic Field:**  $<-90$  dBc sidebands due to 0.1 millitesla (1 Gauss) rms at 100 Hz.

**Humidity (typical):**  $1 \times 10^{-9}$  for 95% RH at  $40^\circ\text{C}$ .

**Shock (survival):** 30 g, 11 ms,  $\frac{1}{2}$  sinewave.

**Altitude (typical):**  $2 \times 10^{-9}$  for 0 to 50,000 ft.

**Warmup**

10 min. after turn-on within  $5 \times 10^{-9}$  of final value, at  $25^\circ\text{C}$  and 20 Vdc. See Notes 1 & 2.

**Adjustment**

**Coarse Frequency Range:**  $>\pm 1 \times 10^{-6}$  ( $\pm 10$  Hz) with 18 turn control.

**Elec. Frequency Control (EFC):**  $\geq 1 \times 10^{-7}$  (1 Hz) total, control range  $-5$  Vdc to  $+5$  Vdc.

**Output**

**Frequency:** 10 MHz

**Voltage:**  $0.55 \pm 0.05$  V rms into 50 ohm. 1V rms  $\pm 20\%$ , into 1K ohm.

**Harmonic Distortion:** Down more than 25 dB from output.

**Spurious Phase Modulation:** Down more than 100 dB from output (discrete sidebands 10 Hz to 25 kHz).

**Power Requirements**

**Oscillator Circuit:** 11.0 to 13.5 Vdc. 30 mA typical. 40 mA max.

**Oven Circuit:** 20 to 30 Vdc; turn on load is 42 ohm minimum. Steady-state power drops to a typical value of 2.0W at  $25^\circ\text{C}$  in still air with 20 Vdc applied.

**Connectors**

10811A: Mates with CINCH 250-15-30-210 (HP 1251-0160) or equivalent (not supplied).  
10811B: Solder terminals and SMB Snap-on connectors. Mates with Cablewave Systems, Inc. #700156 or equivalent (not supplied).

**Accessories Available:**

**Service Manual:** HP 19811-90002: (not supplied).

**Size:**

72 mm  $\times$  52 mm  $\times$  62 mm, (see Figure 1).  
(2-13/16"  $\times$  2-1/32"  $\times$  2-7/16", 14 cu. in.).

**Weight:** 0.31 kg (11 oz.)

**Definition of Terms**

**Long-Term Frequency Stability** is defined as the absolute value (magnitude) of the fractional frequency change with time. An observation time sufficiently long to reduce the effects of random noise to an insignificant value is implied. Frequency changes due to environmental effects must be considered separately.

**Time Domain Stability**  $\sigma_y(\tau)$  is defined as the two-sample deviation of fractional frequency fluctuations due to random noise in the oscillator. The measurement bandwidth is 100 kHz.

**Frequency Domain Stability** is defined as the single sideband phase noise-to-signal ratio per Hertz of bandwidth (a power spectral density). This ratio is analogous to a spectrum analyzer display of the carrier versus either phase modulation sideband. See "NBS-Monograph 140" for measurement details.

**Notes:**

1. For oscillator off-time less than 24 hours.
2. Final value is defined as frequency 24 hours after turn-on.

\*Specifications describe the instrument's warranted performance. Supplemental characteristics are intended to provide information useful in applying the instrument by giving **TYPICAL** or **NOMINAL**, but nonwarranted performance parameters. Definition of terms is provided at the end of the specification section.

1-12. For information concerning a serial prefix that is not listed on the title page or in the Manual Changes supplement, contact your nearest Hewlett-Packard office.

### **1-13. DESCRIPTION**

1-14. The HP Model 10811A/B Quartz Crystal Oscillator is an extremely stable, compact, low-power source of 10 MHz. The 10811A/B has a very fast warm-up time, exhibits excellent temperature characteristics and has low phase noise and power consumption.

1-15. The 10811A/B has the ability to be adjusted over a range of 20 Hz ( $2 \times 10^{-6}$ ), yet the control is sensitive enough to allow adjustment to better than 0.1 Hz ( $1 \times 10^{-8}$ ). The frequency can also be controlled electronically over a 1 Hz ( $1 \times 10^{-7}$ ) range with an externally applied voltage to the EFC.

1-16. The 10811A/B is field repairable, thus allowing the oscillator to be quickly placed back into service.

1-17. The 10811A/B requires two external power supplies. The power supply requirements are listed in Section II.

1-18. The 10811A and 10811B are identical, except for the connections. The 10811A uses a standard 15 pin printed circuit connector. The 10811B uses filtered-feedthrough terminals for power and oven monitor, and SMB subminiature rf snap-on connections for the 10 MHz output and EFC.

### **1-19. HP Part Number 10811-60101 and 10811-60105**

1-20. The 10811-60101 is a 10811A in which phase noise, magnetic field and 2g turn-over are not specified. The 10811-60101 is physically identical to the 10811A.

1-21. The 10811-60105 is a 10811-60101 with specifications of  $<1.5 \times 10^{-9}$  for aging and  $<1 \times 10^{-11}$  for short-term stability for a 1-second averaging time. The 10811-60105 is physically identical to the 10811A.

### **1-22. RECOMMENDED TEST EQUIPMENT**

1-23. The test equipment required to maintain the Model 10811A/B is listed in *Table 1-2*. Other equipment may be substituted if it meets or exceeds the critical specifications listed in the table.

Table 1-2. Recommended Test Equipment

INSTRUMENT	REQUIRED CHARACTERISTICS	MODEL NO.
1. Frequency Analyzer*	Phase noise measurement at 10 MHz 5390 cannot measure 10811 specs above 10 Hz	5390A*
2. Frequency Counter**	10 MHz range, HP-IB programmable, 2 ns resolution	5345A**
3. Computing Controller**	HP-IB compatible	9835A or 9825A**
4. Frequency Reference	Short term stability $\leq 5 \times 10^{-12}$ /second Long term stability $< 5 \times 10^{-10}$ /day	5065A, 5061A (Option 004), or 105A/B***
5. Sampling Voltmeter	$\pm 3\%$ accuracy at 10 MHz	3406A
6. General Purpose Oscilloscope	Bandwidth $\geq 10$ MHz	1740A
7. Frequency Doubler	Operates at 10 MHz	10515A
8. Mixer Amplifier**	10 MHz Mixer/50 dB gain	K79-59992A**
9. Spectrum Analyzer	10 MHz/70 dB range	8552B/8553B
10. Power Supply	480 mA @ 20V (2 required)	6215A
11. DC Voltmeter	Any HP type digital or analog	—
12. Torque Screwdriver	2-30 inch-lb. (0.2 to 3.4 newton meters)	8730-0012
13. Feedthru Termination	50 ohms	11048B
14. BNC to Miniature Coax Adapter	Use for 10811B Only	05060-6116
15. Test Connector	For testing 10811A	See para. 8-61

\*Not needed if items 2, 3, 4 are available.

\*\*Not needed if HP 5390A Frequency Stability Analyzer is available.

\*\*\*If a 105A/B is used, its performance must be verified.

## SECTION II INSTALLATION

### 2-1. INTRODUCTION

2-2. This section contains installation instructions for the 10811A/B Quartz Crystal Oscillator. Also included is information about initial inspection and damage claims, preparation for using the oscillator, and packaging, storage and shipment.

### 2-3. INITIAL INSPECTION

2-4. Inspect the shipping container for damage. If the shipping container or cushioning material is damaged, it should be kept until the contents of the shipment have been checked for completeness and the oscillator has been checked mechanically and electrically. The contents of the shipment should be as shown in *Figure 1-1*; procedures for checking electrical performance are given in Section IV. If the contents are incomplete or if there is mechanical damage or defect, or if the oscillator does not pass the Performance Tests, notify the nearest Hewlett-Packard office. If the shipping container is damaged, or the cushioning material shows signs of stress, notify the carrier as well as the Hewlett-Packard office. Keep the shipping materials for the carrier's inspection. The HP office will arrange for repair or replacement at HP option without waiting for the claim settlement.

### 2-5. PREPARATION FOR USE

#### 2-6. Power Requirements

2-7. The 10811A/B requires two power sources. One supplies power to the oscillator circuitry and the other supplies power to the oven heaters. *Table 2-1* lists the required supply voltages, and the effect of a change in these voltages on the output frequency.

*Table 2-1. Input Voltages/Voltage Coefficients*

Input Circuit	Required Voltage	Required Current/Power	Voltage Coefficients	
			Voltage Change	Frequency Change
Oscillator/ Amplifier	11.0—13.5V dc Noise <100 $\mu$ V	30 mA typical, 40 mA max.	1%	$<2 \times 10^{-10}$
Oven Controller	20—30V dc	Turn on load is 43 ohms minimum Power drops to steady state value ( $\approx 2$ W) within 10 min. at 25°C with 20V dc applied.	10%	$<1 \times 10^{-10}$

2-8. Both the 10811A and 10811B have separate ground return paths for each section (oscillator and oven circuits). Both grounds may be tied together or operated at any reasonable difference in potential. Note the oscillator supply ground and 10 MHz output have a common ground return. The outer housing for both oscillators is tied to this ground point. The 10811B filtered feedthrough grounds are also tied to the outer housing.

2-9. In order to maintain the high spectral purity of the 10811A/B output signal, the supply voltages must be relatively clean. The supply ripple and noise on the 12-volt line (oscillator supply) must be kept below 100  $\mu$ V rms and the 20-volt line (oven supply) ripple and noise must be kept below 30 mV rms with both measured in the 10 Hz to 25 kHz range. A 1% change of the 12-volt supply (oscillator) will cause  $\leq 2 \times 10^{-10}$  change in output frequency. A 10% change in the 20-volt line (oven) will cause a  $\leq 1 \times 10^{-10}$  change in output frequency.

## 2-10. Single Source Regulated Power Supply

2-11. A single source of +20 to +30V dc with 10% regulation may be used to power both the oven and oscillator amplifier circuits if a simple IC regulator is used. A suggested circuit is shown in Figure 2-1. The resistor and capacitor connected to terminals 3 and 4 of the IC minimize ripple and noise in the regulated output.

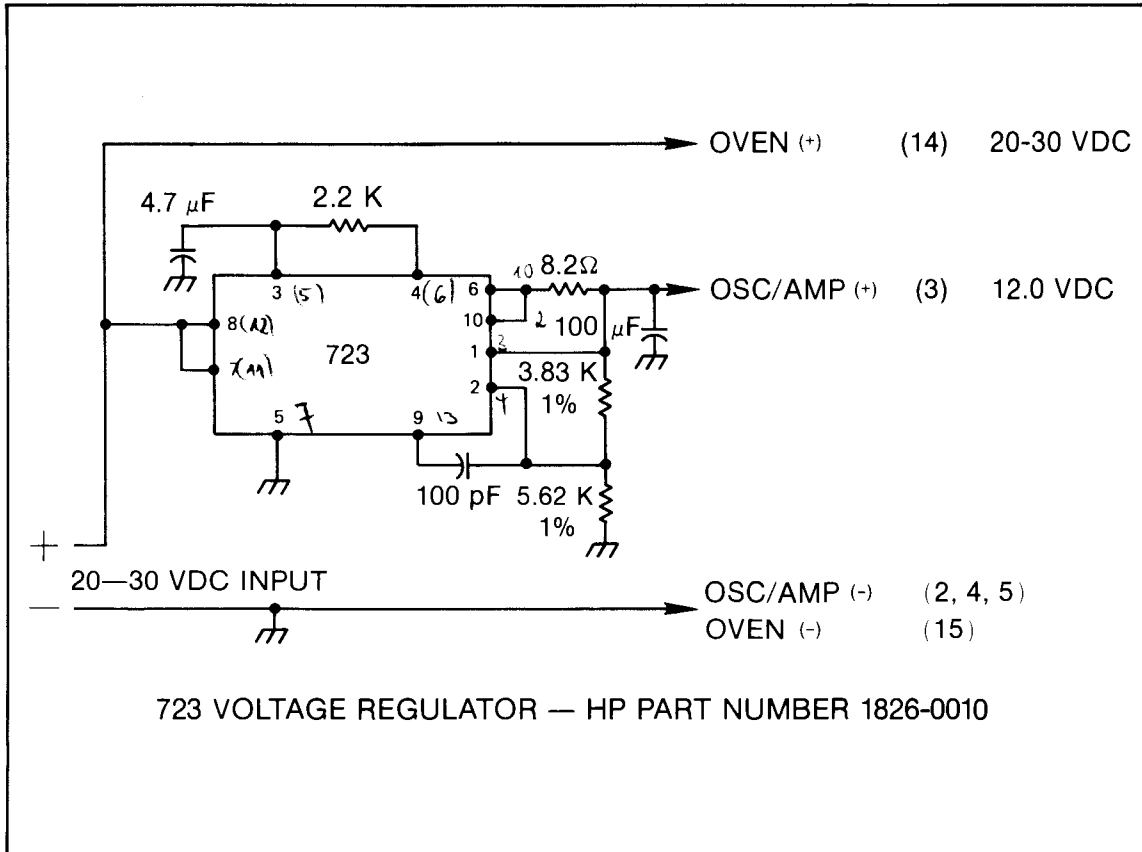


Figure 2-1. Single Source Regulated Power Supply

## 2-12. ELECTRONIC FREQUENCY CONTROL (EFC)

2-13. The EFC allows the oscillator to be tuned over a 1 Hz range ( $1 \times 10^{-7}$ ) by applying -5 to +5 volts to the EFC input. As the EFC voltage goes positive the output frequency will go lower. Conversely, as the EFC voltage goes negative, the output frequency will go higher.

2-14. Since noise on the EFC line affects the oscillator's stability (noise appears as FM on the output), care must be taken to ensure that a relatively noise free EFC voltage source is used. The noise level must be kept below 100  $\mu$ V to maintain good stability performance.

2-15. The EFC input should be connected to oscillator circuit ground if not used. A shorting plug (1250-0911) is supplied with 10811B for this purpose. The EFC input on the 10811A should be grounded at the printed circuit connector by wiring pins 5 and 6 together.

## 2-16. 10 MHz FREQUENCY OUTPUT SIGNAL

2-17. The 10 MHz output is ac coupled from a source impedance of approximately 50 ohms. The signal level is  $.55 \pm .05$  into a 50 ohms load or 1-volt  $\pm 20\%$  into a 1K ohm load.

## 2-18. OVEN MONITOR OUTPUT

2-19. The OVEN MONITOR OUTPUT is an indicator of oven warm-up. At initial turn-on (warm-up) the oven monitor will go to approximately 1.5 volts BELOW the oven power supply voltage. After the oven cuts back, the output will drop to approximately 3.5 volts (at 25°C). The output impedance of this circuit is 10,000 ohms. *Figure 2-2* shows an oven monitor LED indicator circuit.

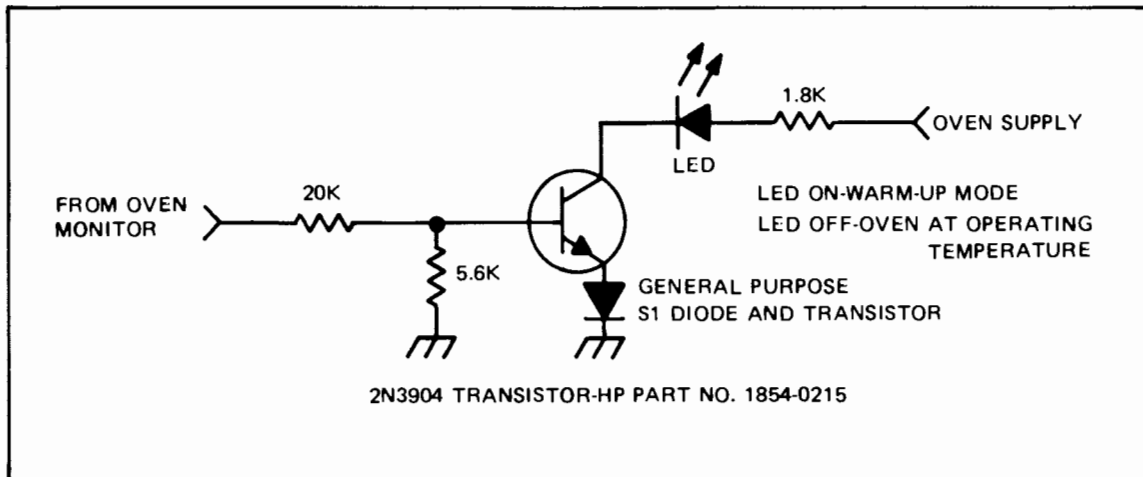


Figure 2-2. Oven Monitor LED Circuit

## 2-20. MATING CONNECTORS AND MOUNTING

2-21. The 10811A Oscillator requires a 15-pin printed circuit connector. The recommended connector is the CINCH 250-15-30-210 (HP 1251-0160). The 10811A can be secured with two 6-32 screws, 1/4-inch long. *Figure 2-3* shows the power supply connection for the 10811A. *Figure 2-5* shows the mechanical mounting dimension for the 10811A and 10811B.

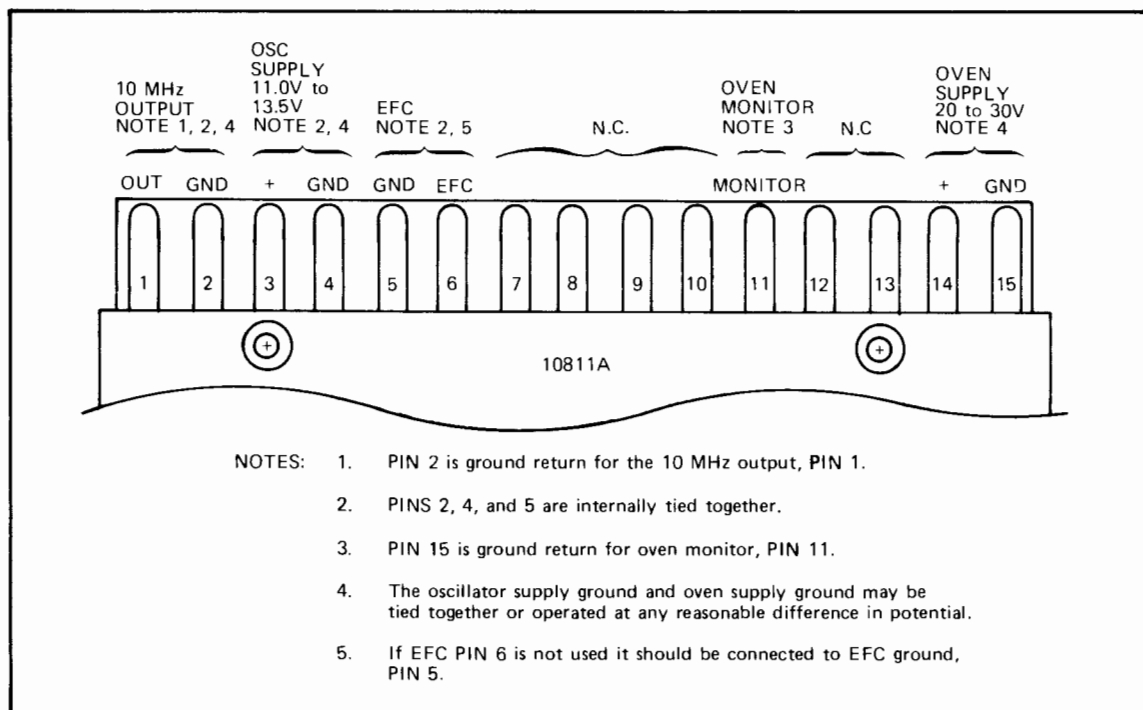


Figure 2-3. 10811A Supply and Output Connections

2-22. The 10811B Oscillator uses solder terminals with filtered feedthrough capacitors for power and oven monitor outputs and SMB subminiature rf snap-on connectors for the 10 MHz output and EFC. The 10811B also has one internally threaded mounting stud on the bottom cover and two located on the top. The three studs are threaded for 4-40 screws, 1/4-inch deep. These mounting studs may be used with vibration isolators such as the LORD #J2924-2-1 (HP Part No. 1520-0094). However, for ease of testing and interfacing, a 6-pin Amphenol connector is attached. If you wish to use this connector, the following parts are required to build its mate.

Description	Quantity	HP Part No.	Amphenol Part No.
Receptacle	1	1251-4297	221-1508
Pin-Female	5	1251-4734	220-883-03
Guide-Pin	2	1251-0597	221-590

If you do not wish to use the Amphenol connector, it may be easily removed. The SMB connectors mate to Cablewave Systems, Inc. #700156 or equivalent HP Part No. 1250-0885 (not supplied). Figure 2-4 shows the connections for the 10811B Oscillator.

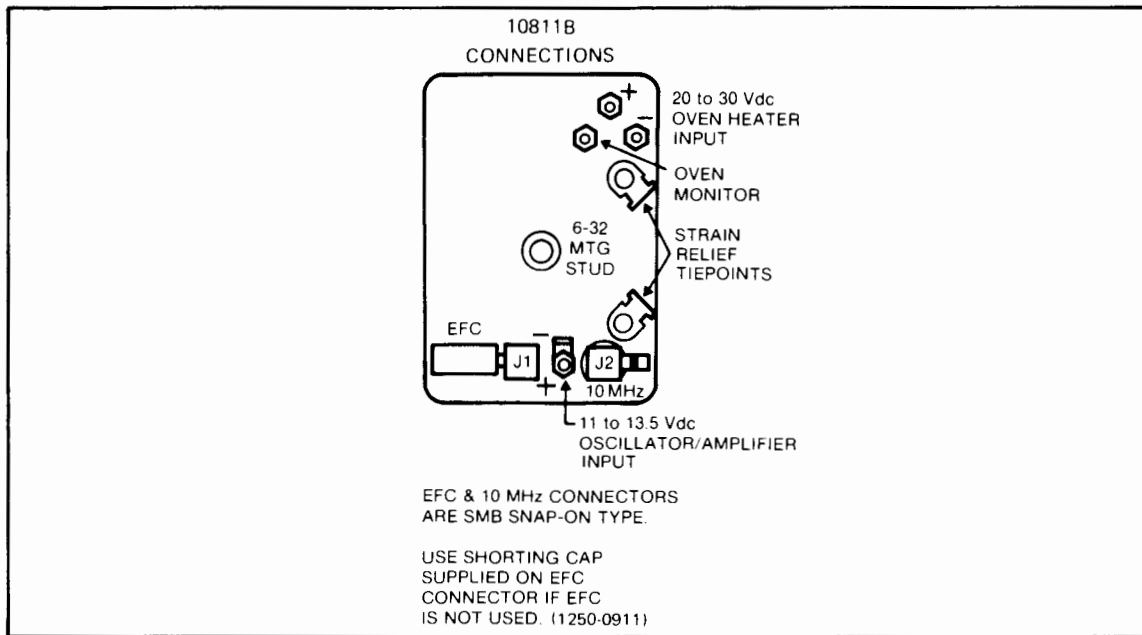


Figure 2-4. 10811B Supply and Output Connections

## 2-23. INSTALLATION INSTRUCTIONS

2-24. Figure 2-5 shows the mechanical mounting dimensions of the 10811A/B Oscillators for use in custom installation. Since all quartz oscillators are sensitive to shock, vibration, radiation fields, and ambient temperature changes, to obtain the best performance from your 10811A/B, these factors should be taken into consideration. To optimize performance therefore:

1. The 10811A/B should be mounted in an area that has a minimum amount of vibration or shock accelerations. In addition, the 10811A/B should be mounted so that the vibrational forces act along the "minimum G sensitivity" axis shown in Figure 2-5.
2. The 10811A/B should be mounted as far as possible from transformers or fan motors that radiate electromagnetic fields.
3. The 10811A/B should be mounted away from the main system airflow in order to isolate it as much as possible from ambient temperature changes.



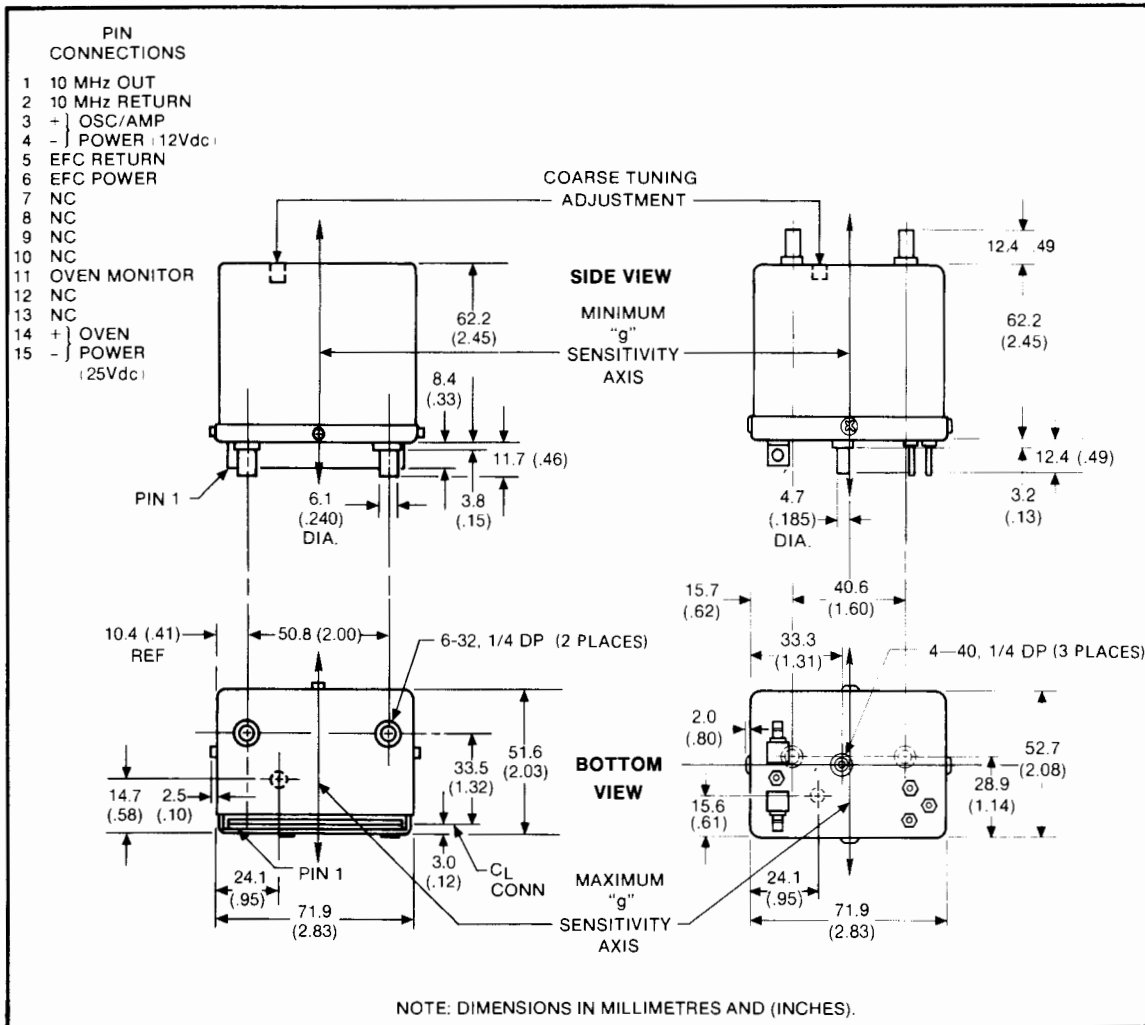


Figure 2-5. Mechanical Mounting Dimensions

## 2-25. INSTALLATION INSTRUCTIONS (HP INSTRUMENT)

2-26. The 10811A may be installed in most Hewlett-Packard instruments that already have a 10544A or 10544B oscillator or has provisions for it. The 10811A may be exchanged directly without any circuit change or modification.

2-27. If the instrument does not have a 10544A oscillator installed, but is available as an option, then the service manual for that instrument should be consulted to see if an oscillator support board (power supplies) is required. Once the support board is installed, the 10811A can be installed in place of the 10544A. Consult your nearest sales and service office for more details.

## 2-28. OPERATING ENVIRONMENT

2-29. TEMPERATURE. The 10811A/B may be operated in temperatures from  $-55^{\circ}\text{C}$  to  $+71^{\circ}\text{C}$ .

2-30. MAGNETIC FIELDS. Sidebands due to 0.1 milliTelsa (1 Gauss) rms at 100 Hz will be down more than 90 dB from carrier.

2-32. ALTITUDE. The frequency change will be typically  $2 \times 10^{-9}$  for altitudes up to 15.2 km (50,000 ft.).

2-33. SHOCK. The 10811A/B can withstand a shock up to 30 Gs for 11 ms, 1/2 sine wave.

## 2-34. STORAGE AND SHIPMENT

### 2-35. Environment

2-36. The 10811A/B may be stored or shipped in environments with the following limits:

Temperature ..... -55°C to +85°C  
Altitude ..... 15.2 Km (50,000 feet)

## 2-37. PACKAGING

### 2-38. Original Packaging

2-39. Containers and materials identical to those used in factory packaging are available through Hewlett-Packard offices. If the instrument is being returned to Hewlett-Packard for servicing, attach a tag indicating the type of service required, return address, model number, and full serial number. Also, mark the container FRAGILE to ensure careful handling. In any correspondence, refer to the instrument by model number and full serial number.

### 2-40. Other Packaging

2-41. The following general instructions should be used for repacking with commercially available materials.

- a. Wrap instrument in heavy paper or plastic. (If shipping to Hewlett-Packard office or service center, attach tag indicating type of service required, return address, model number, and full serial number.)
- b. Use strong shipping container. A double-wall carton made of 350-pound test material is adequate.
- c. Use a layer of shock-absorbing material 70 to 100 mm (3- to 4-inch) thick around all sides of the instrument to provide firm cushioning and prevent movement inside container. Protect control panel with cardboard.
- d. Seal shipping container securely.
- e. Mark shipping container FRAGILE to insure careful handling.
- f. In any correspondence, refer to instrument by model number and full serial number.

## SECTION III OPERATION

### 3-1. INTRODUCTION

3-2. This section contains operating information including operating characteristics and operating procedure.

### 3-3. BASIC POWER-UP DESCRIPTION

3-4. The following paragraph is a basic description of the actions occurring when power is applied to the oscillator. This description assumes the oscillator is at room temperature (25°C).

3-5. When power is applied to the oscillator, 10 MHz will appear at the output. The oven controller circuit will go into its full warm-up mode. In this mode the maximum heating power is applied to the oven mass. The oven mass is a metal casting surrounding the oscillator circuits and crystal. The OVEN MONITOR output will be approximately 1.5 volts below the oven power supply voltage. In about 10 minutes, the oven will have heated to the proper temperature. The oven controller will begin to regulate at this temperature, and the OVEN MONITOR will drop to approximately 3.5 volts. It is normal for the oven current to drop momentarily to a low value when the oven temperature first reaches maximum. This lasts less than second and is a typical circuit action.

3-6. After the first 10 minutes have passed, the oscillator may be initially adjusted using the following procedure. The oscillator should be readjusted after 24 hours for maximum accuracy. Periodic adjustment schedule can be determined by the procedure described in paragraph 3-15.

### 3-7. FREQUENCY ADJUSTMENT

3-8. The frequency adjustment is the only periodic adjustment required. This may be initially adjusted after 10 minutes of warm-up, then readjusted after 24 hours.

### 3-9. FREQUENCY ADJUSTMENT PROCEDURE

- a. Connect reference frequency standard (multiple or submultiple of 10 MHz) to the EXTERNAL SYNC INPUT of the oscilloscope.
- b. Connect oscillator output (10811A/B) to Channel A. Set the sweep speed to  $.1 \mu\text{s}/\text{div}$ .
- c. Set the oscilloscope to EXTERNAL TRIGGER and adjust the oscilloscope so that its sweep is synchronized to the reference frequency. The pattern will appear to move.
- d. Using an *insulated* tuning tool, adjust oscillator frequency adjustment (FREQ ADJUST on the 10811A/B) for minimum sideways movement of the oscilloscope pattern.
- e. By timing the sideways movement (divisions per second on the oscilloscope), the approximate offset can be determined based on the oscilloscope sweep speed shown in *Figure 3-1*.

- f. For example, if the trace moves 1 division in 10 seconds and the sweep speed is 0.01  $\mu\text{s}/\text{div.}$ , the oscillator's frequency is  $1 \times 10^{-9}$  different from that of the reference frequency, as can be seen from the calibration, Table 3-1. The calculation can also be made by the following formula:

$$\frac{\Delta \text{ FREQUENCY}}{\text{FREQUENCY}} = \frac{\Delta \text{ TIME}}{\text{TIME}}$$

OR 
$$\frac{\Delta f}{f} = \frac{\Delta t}{t}$$

where  $\Delta f/f$  = offset of the oscillator with respect to the reference standard  $\Delta t$  = the movement of the oscilloscope pattern (1 div.  $\times$  .01  $\mu\text{s}/\text{div.}$ ) = .01,  $\mu\text{s}$   $t$  = time required for  $\Delta t$  to occur.

$$\frac{\Delta f}{f} = \frac{1 \text{ div} \times 0.01 \mu\text{s}/\text{div.}}{10 \text{ s}} = 1 \times 10^{-9}$$

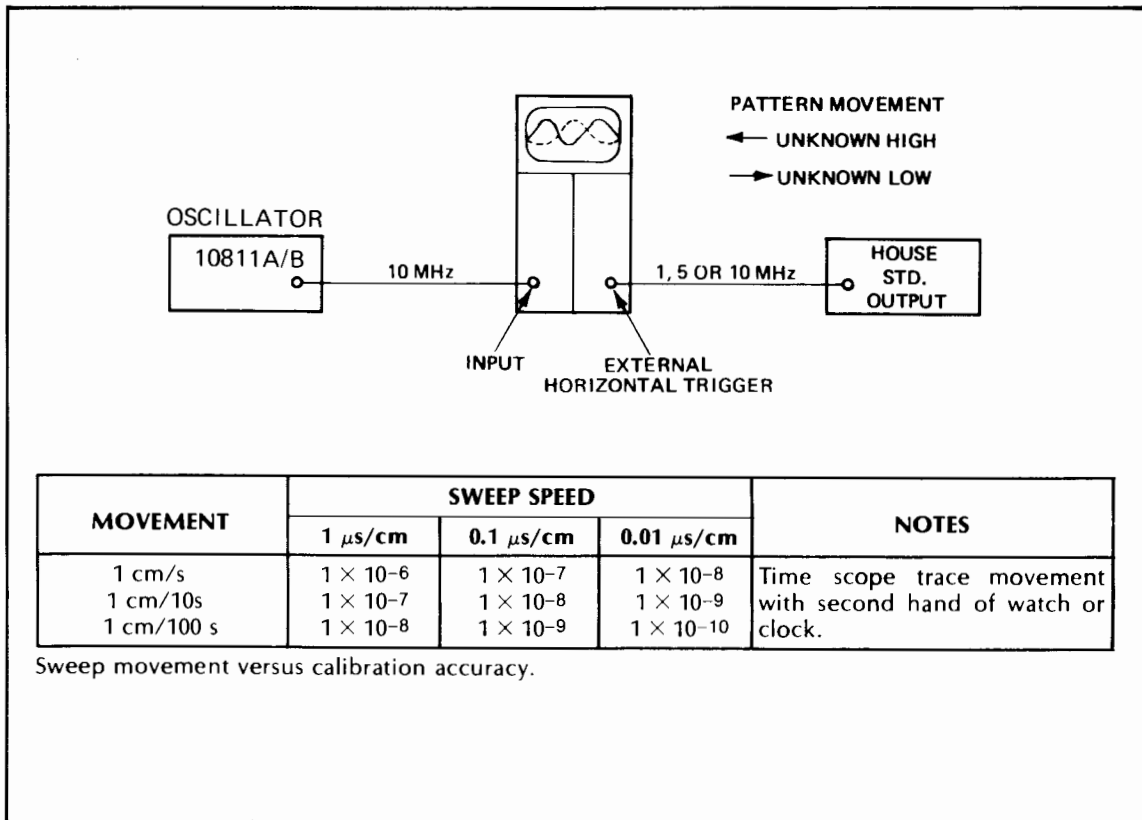


Figure 3-1. Oscillator Adjustment Set-Up

### 3-10. ACCURACY VS ADJUSTMENT INTERVAL

3-11. Table 3-1 shows the required adjustment interval to maintain a required accuracy. If the aging rate is known to be  $3 \times 10^{-10}/\text{day}$ , then a more precise adjustment interval can be determined. (The specification for aging is  $<5 \times 10^{-10}/\text{day}$ , but aging is typically less than this.) The aging rate can be expected to gradually decrease, and typically will reach  $1 \times 10^{-10}/\text{day}$  within 1-year.

Example:

Known aging rate .....  $3 \times 10^{-10}/\text{day}$   
Maximum allowable error .....  $5 \times 10^{-9}$

3-12. Find the line on *Table 3-1* corresponding to the oscillator's aging rate. Then find the maximum allowable error (accuracy) on the horizontal axis. Follow the maximum allowable error vertically until it crosses the oscillator's known aging rate. Move horizontally to the left and read the minimum calibration interval in days.

3-13. From *Table 3-1*, the oscillator should be adjusted approximately every 17 days.

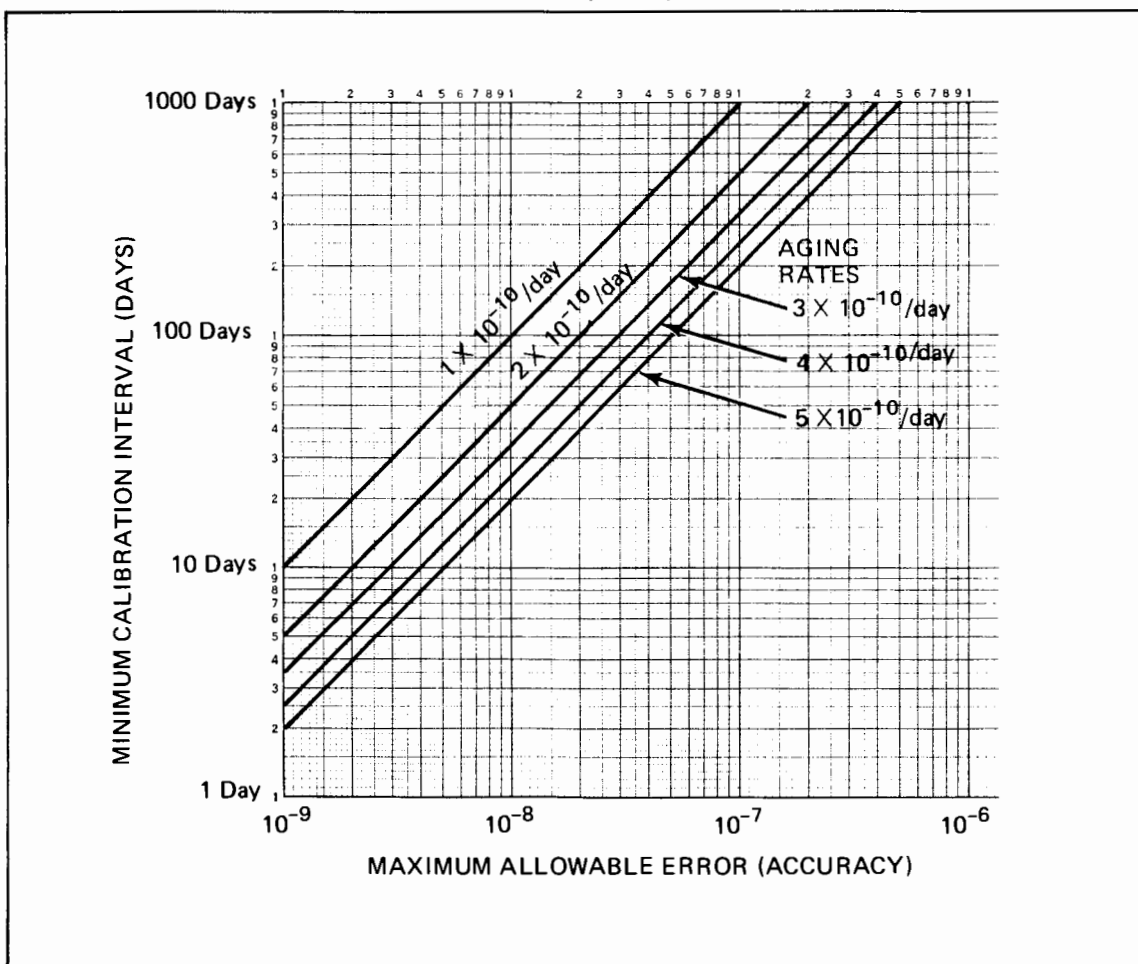
3-14. The minimum calibration interval may also be determined from the following formula:

$$\frac{\text{maximum allowable error}}{\text{known aging rate (per day)}} = \text{calibration interval in days}$$

Example:

$$\frac{5 \times 10^{-9} \text{ (maximum allowable error)}}{3 \times 10^{-10}/\text{day (known aging rate)}} = 16.67 \text{ days (~17 days)}$$

Table 3-1. Accuracy vs Adjustment



## SECTION IV OPERATIONAL VERIFICATION

### 4-1. INTRODUCTION

4-2. The tables in this section test the instrument's performance using the specifications of *Table 1-1* as the performance standards. All tests can be performed without access to the interior of the instrument.

### 4-3. OPERATIONAL VERIFICATION

4-4. The Operational Verification, *Table 4-2*, can be performed to give a high degree of confidence that the 10811A/B is operating properly without performing the complete performance tests. The operational verification should be useful for incoming QA, routine maintenance, and after instrument repair.

### 4-5. EQUIPMENT REQUIRED

4-6. Equipment required for the operational verification is listed in the recommended test equipment in Section I, *Table 1-4*, and in *Table 4-1*. Any equipment that satisfies the critical specifications given in the table may be substituted for the recommended model(s).

### 4-7. TEST RECORD

4-8. Results of the Operational Verification, *Table 4-2*, may be tabulated on the Operational Verification Record, *Table 4-4*.

4-9. If the 10811A/B Oscillator is to be tested outside its normal installation, a special test connector may be used for applying power to the oscillator. The connector also has a BNC connector for the 10 MHz output signal. A photo, parts list, and construction information is located in Section VIII. The connector should be used under the following circumstances:

- a. If the 10 MHz output is not easily accessible.
- b. If there is a buffer amplifier between the 10811A/B output and the oscillator output jack on the rear panel of the instrument.
- c. Troubleshooting.
- d. If testing of the oscillator in its normal installation causes erroneous measurements (e.g., fan noise, vibrations, noisy circuits, etc.). If in doubt, use the special test connector.

4-10. *Table 4-1* lists the five sections of the operational verification and their descriptions.

Table 4-1. Operational Verification Descriptions

1.	Amplitude (0.55 volts ( $\pm 0.05$ volts/50 $\Omega$ , 1 volt $\pm 0.2$ volt/1 k $\Omega$ )).
A.	Equipment required: BNC-to-BNC Cable 50 $\Omega$ and 1 K $\Omega$ Loads 3406A AC Voltmeter
2.	Harmonic Distortion (-25 dB below 10 MHz output signal).
A.	Equipment required: 141T Display Section 8553B Spectrum Analyzer — RF Section 8552B Spectrum Analyzer — IF Section BNC-to-BNC Cable
3.	Spurious Signals — Signals unrelated to the 10 MHz output signal (-100 dB below the 10 MHz output signal).
	<b>NOTE</b>
	Due to the complexity of measuring signal 100 dB below a reference, this procedure will verify that no spurious signals exist greater than 65 dB below the normal 10 MHz output signal.
A.	Equipment required: 141T Display Section 8553B Spectrum Analyzer — RF Section 8552B Spectrum Analyzer — IF Section BNC-to-BNC Cable
4.	Short Term Stability ( $5 \times 10^{-12}$ for 1-second averaging; $1 \times 10^{-11}$ for 10811-60105).
A.	Equipment required: 5065A Rubidium Vapor Frequency Standard 5061A Option 004, or 105A/B, See Table 1-2 HP Model 5390A may be used in place of the following: 10830A Mixer 5345A Electronic Frequency Counter with Option 011 9825A Calculator with 98210A and 98213A or 98214A or 98216A 98034A HP-IB Interface 10515A Doubler 6-Plug AC Power Strip 3 BNC-to-BNC Cables
5.	Long Term Stability $< 5 \times 10^{-10}$ over 24 hours; $1.5 \times 10^{-9}$ /24 hours for 10811-60105.
A.	Equipment required: HP 1740A 100 MHz Oscilloscope, 105A/B Quartz Crystal Oscillator, 5065A Rubidium Frequency Standard, or 5061A Cesium Beam Frequency Standard. See Table 1-2.

4-11. In the following tests, the power supply voltages to the oscillator are not shown. They are assumed to be:

Oscillator Circuits .....	+12V dc
Oven Circuits .....	+20V dc

4-12. Any supply voltages within the specified limits listed in Table 1-1 may be used and will not affect the operational verification. The voltages are only reference points and are used throughout this manual.

Table 4-2. Operation Verification Procedure

1. Amplitude Test

Procedure:

- a. Set the 3406A Voltmeter to the 1-volt range.
- b. Insert the 3406A Voltmeter probe into the 1-volt jack on the front panel.
- c. With the CAL button out, set the 3406A to zero by adjusting the ZERO control on the front panel.
- d. Press the CAL button and adjust the 3406A to read 1V by adjusting the CALIBRATE control on the front panel.
- e. Remove the probe from the 1-volt jack and connect to the 10811A/B output through a 50 ohm termination.
- f. Verify an amplitude of 0.55 volts  $\pm$ 0.05 volts. Mark the test card.
- g. Remove the 50 $\Omega$  termination and replace with a 1 k $\Omega$  termination.
- h. Verify an amplitude of 1-volt  $\pm$ 0.2-volt.

2. Harmonic Distortion

- a. Set 141T Spectrum Analyzer controls to:

```
TUNING STABILIZER ..... OFF
BANDWIDTH ..... 30 kHz
SCAN WIDTH per Division ..... 5 MHz/div.
INPUT ATTENUATION ..... 50 dB
VIDEO FILTER ..... OFF
SCAN TIME ..... 10 ms/div.
SCAN MODE ..... INT
SCAN TRIGGER ..... AUTO
LOG REF LEVEL ..... +10
LOG/LINEAR Switch ..... 10 dB LOG
```

- b. Connect the output of the 10811A/B to the spectrum analyzer input.
- c. Apply power to the oscillator and spectrum analyzer. Allow 10 minutes for oscillator to stabilize.
- d. Adjust Spectrum Analyzer FREQUENCY control so that 10 MHz signal is at left-edge of display (center frequency, approximately 35 MHz).
- e. Adjust LOG REF LEVEL vernier control (right hand knob) so that 10 MHz signal is at top of display graticule. Verify that all harmonics of the 10 MHz signal are more than 25 dB down. Leave spectrum analyzer connected for next test.

3. Spurious Output Signals

- a. Use the test setup as described in Test 2.

- b. Set the Spectrum Analyzer controls to:

```
TUNING STABILIZER ..... OFF
BANDWIDTH ..... 1 kHz
SCAN WIDTH ..... .05 MHz
INPUT ATTN ..... 50 dB
LOG REFERENCE ..... +10 dBm
SCAN TIME ..... 0.1 s/div.
VIDEO FILTER ..... 100 Hz
SCAN MODE ..... INT
SCAN TRIGGER ..... AUTO
FREQUENCY ..... 10 MHz (0-11 MHz RANGE)
```

- c. Adjust FREQUENCY so 10 MHz signal is at center of display. Adjust LOG REF LEVEL so signal is at top of graticule.
- d. Set TUNING STABILIZER switch "on" (up) and reset Spectrum Analyzer controls as follows:

```
BANDWIDTH ..... .03 kHz (30 Hz)
SCAN WIDTH ..... 5 kHz
SCAN TIME ..... 10 s/div.
```



Table 4-2. Operational Verification Procedure (Continued)

- e. Set INTENSITY and PERSISTENCE controls for an easily readable display at the 10 s scan time.
- f. Verify that there are no repeating signals above a level 65 dB below the 10 MHz signal (i.e., no signals between -64 dB and 0 dB). Allow the analyzer to sweep through several times to verify that no signals repeat on successive sweeps. Signals greater than -65 dB indicate possible spurious signals on 10811A/B output. Be sure there is no other equipment nearby that could be radiating signals into the measurement. Be sure power supplies meet noise specifications as described in Table 1-1.

4. Short-Term Stability

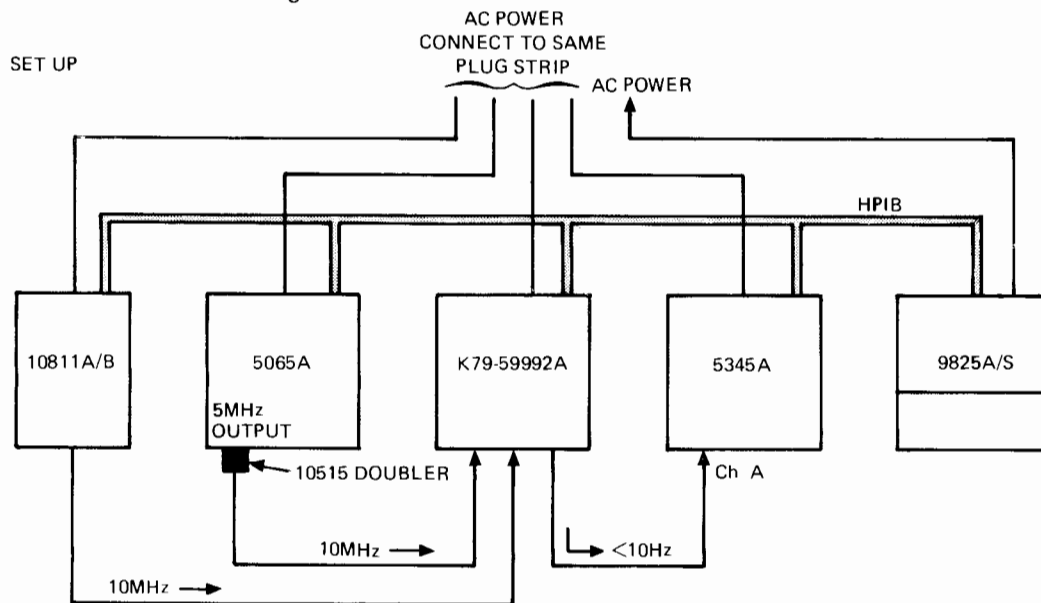
**NOTE**

If the model 5390A frequency stability analyzer is available it should be used in place of the text described below. Follow instructions in the 5390A operating manual to make measurement.

- a. Connect the equipment as follows:

**NOTE**

Arrange the instruments as shown. Keep all signal leads away from power cords and HP-IB cable. **DO NOT FORGET THE 10515A DOUBLER ON THE 5065A OUTPUT.** Connect all ac power to the same strip so that all ground paths are as short as possible. **DO NOT STACK THE INSTRUMENTS.** Use coax for all signal leads.



- b. Set the 5345A address to 18:

$$\begin{array}{ccccccc} \text{A5} & \text{A4} & \text{A3} & \text{A2} & & & \\ 1 (16) & 0 (8) & 0 (4) & 1 (2) & = & & 18 \end{array}$$

- c. Allow 1-hour warmup to stabilize the test equipment and the 10811A/B.
- d. Set the 5345A front panel controls as follows:

FUNCTION .....	FREQ A
GATE TIME .....	1 s
SAMPLE RATE .....	max (ccw)
GATE CONTROL INPUT (REAR PANEL) .....	INTERNAL
A LEVEL .....	PRESET
B LEVEL .....	PRESET
A IMPEDANCE .....	50 ohm
B IMPEDANCE .....	50 ohm
A ATTENUATOR .....	X1
B ATTENUATOR .....	X1

Table 4-2. Operational Verification Procedure (Continued)

A COUPLING .....	DC
B COUPLING .....	DC
A SLOPE .....	+
B SLOPE .....	+
CHECK/COM/SEP .....	SEP

- e. Adjust the 10811A/B to read  $\approx 9.5$  Hz (reading must be less than 10 Hz).

**NOTE**

The display on the 5345A should be changing only in the .001 Hz or .0001 Hz digits. This represents frequency deviations of parts in  $10^{11}$  and  $10^{12}$ , respectively.

- f. Type the program from *Figure 4-1* into the 9835A calculator. (See paragraph 4-13 for use of other controllers and counters.)
- g. Press "RUN". When the program asks for the number of samples, enter "100" and press CONTINUE.
- h. Allow 2 to 3 minutes for the program to finish. Verify a short-term stability of less than  $5 \times 10^{-12}$ .

**NOTE**

Measurement of short-term stability is somewhat difficult and exacting. If the 10811A/B fails this test, be sure no signal sources other than the test reference are operating near the measurement system, as these can cause interference with the measurement. Other sources of error are vibration, nearby electrical equipment, poor shielding, or motors that can radiate signals into the 10811A/B. The failure to connect the EFC input (to ground) can cause poor frequency stability as can a noisy voltage being used for the EFC control. If another oscillator is available (known to be good), verify the accuracy of the measurement system. This could save considerable troubleshooting time.

Two other possibilities external to the oscillator are the oven and oscillator power supplies. These must be stable in order for the circuits to function properly. See *Table 1-1*, Specifications, and paragraph 2-6 for power supply noise requirements.

5. Long-Term Stability

**NOTE**

The 10811A/B will typically take 24 to 48 hours to reach its specified aging rate after storage or shipment. In some cases, if extreme environmental conditions were encountered during storage, the 10811A/B could take up to 1-week to achieve its specified aging rate.

- a. Connect reference frequency standard (multiple or submultiple of 10 MHz) to the EXTERNAL SYNC INPUT of the oscilloscope.
- b. Connect the output of the 10811A/B to CHANNEL A INPUT. Adjust sweep speed to  $0.1 \mu\text{s}/\text{div}$ .
- c. Set oscilloscope to EXTERNAL TRIGGER and adjust it so that its sweep is synchronized with the reference frequency. The oscilloscope pattern will probably be moving.
- d. Carefully adjust oscillator frequency control so that pattern on oscilloscope stops. Use a higher sweep speed on oscilloscope for better resolution.
- e. When the oscillator is adjusted as close as possible to frequency, measure the frequency as described in paragraph 5-13.
- f. Allow the oscillator to remain undisturbed for 48 hours, then again measure the frequency. The difference between the frequency measured in step e and that measured in this step is the aging rate per 48 hours and should be less than  $1 \times 10^{-9}$ . The measurement is allowed to run for 48 hours so that the frequency offset measured will be well in excess of the system resolution. In many cases the daily aging rate of  $< 5 \times 10^{-10}$  per day can be verified in 24 hours.

```
10  ! Short term stability test 10811A/B
20  INPUT "Enter number of samples",Samples
30  Loop=0
40  OUTPUT 7,18;"12E1<:812"    !5345A Codes
50  ENTER 7,18;A    !Empty dummy buffer
60  ENTER 7,18;A    !First measurement
70  Count=0
90  FOR Loop=1 TO Samples
90  ENTER 7,18;B    !Successive measurements
100  Count=Count+(A-B)^2
110  A=B
120  FIXED 0
130  DISP Loop
140  NEXT Loop
150  PRINTER IS 0
160  FLOAT 1
170  PRINT "STS=";SQR(Count/(2*Loop))/1E7
180  GOTO 50
190  STOP
```

Figure 4-1. BASIC Program

#### 4-13. OPTIONAL CONTROLLERS AND COUNTERS

#### 4-14. Optional Controllers

4-15. Figure 4-2 lists the program for the 9825A Calculator.

```
0:
1: "Short term stability test 10811A/B":
2: "100 Samples is standard value":ent "Enter number of samples",5
3: 03L
4: "5345A Codes":wrt 718,"12E1<:812"
5: "Empty dummy buffer":red 718,A
6: "First measurement":red 718,A
7: 03C
8: for L=1 to 5
9: "Successive measurements":red 718,B
10: C+(A-B)^23C
11: B3A
12: fxd 0
13: dsp L
14: next L
15:
16: flt 1
17: "Short term stability formula":prt "STS=";SQR(C/(2*L))/1e7
18: gto 5
19: stp
```

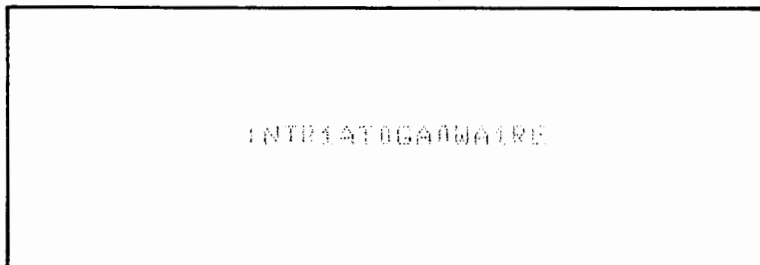
Figure 4-2. HPL Program

#### 4-16. Optional Counters

4-17. *Table 4-3* shows the program codes set required when using the 5316A counter. Replace line 4 (HPL) or line 40 (BASIC) with the appropriate codes. Be sure the optional counter address is set to "18".

5316A  
(gate time must be set manually to 1 s on the front panel)

*Table 4-3. 5316A Program Codes*



INTRO TO BASIC
----------------

Table 4-4. Operational Verification Record

10811A <input type="checkbox"/>		10811B <input type="checkbox"/>		Date _____	
Serial Number _____					
TEST		VALUE	PASS	FAIL	
1. Output Amplitude		_____	_____	_____	
2. Harmonic Distortion		_____	_____	_____	
3. Spurious Signals		_____	_____	_____	
4. Short-Term Stability @ $\tau=1$ -second		_____	_____	_____	
5. Long-Term Stability		_____	_____	_____	
Name _____					

## SECTION V ADJUSTMENTS

### 5-1. INTRODUCTION

5-2. This section describes the adjustments required to maintain the 10811A/B operating characteristics within specifications. Adjustments should be made when required, such as after a performance test failure or when components are replaced that may affect an adjustment.

### 5-3. EQUIPMENT REQUIRED

5-4. The test equipment required for the adjustment procedure is listed in *Table 1-2, Recommended Test Equipment*. Substitute instruments may be used if they meet the critical specifications.

### 5-5. FACTORY SELECTED COMPONENTS

5-6. Some of the values in the parts lists are selected during manufacturing to meet circuit requirements. These parts are marked with an asterisk (\*) in the parts list and schematic diagrams, with average value shown.

### 5-7. ADJUSTMENT LOCATION

5-8. Adjustment locations are identified in this section and in the component locators in Section VIII, Schematic Diagrams.

### 5-9. SAFETY CONSIDERATIONS

5-10. This section contains warnings and cautions that must be followed for your protection and to avoid damage to the equipment.

#### **WARNING**

**MAINTENANCE DESCRIBED HEREIN IS PERFORMED WITH POWER SUPPLIED TO THE INSTRUMENT, AND PROTECTIVE COVERS REMOVED. SUCH MAINTENANCE SHOULD BE PERFORMED ONLY BY SERVICE-TRAINED PERSONNEL WHO ARE AWARE OF THE HAZARDS INVOLVED (FOR EXAMPLE, FIRE AND ELECTRICAL SHOCK). WHERE MAINTENANCE CAN BE PERFORMED WITHOUT POWER APPLIED, THE POWER SHOULD BE REMOVED.**

**BEFORE ANY REPAIR IS COMPLETED, ENSURE THAT ALL SAFETY FEATURES ARE INTACT AND FUNCTIONING, AND THAT ALL NECESSARY PARTS ARE CONNECTED TO THEIR PROTECTIVE GROUNDING MEANS.**

### 5-11. OSCILLATOR FREQUENCY ADJUSTMENT

5-12. The following frequency adjustment procedure is the same for both the 10811A and 10811B. Allow the oscillator to warm up for 24 hours before making this adjustment. See *Figure 5-1*.

- a. Connect reference frequency standard (multiple or submultiple of 10 MHz) to the EXTERNAL SYNC INPUT of the oscilloscope. Adjust oscilloscope so that sweep is synchronized with reference frequency.

Model 10811A/B  
Adjustments

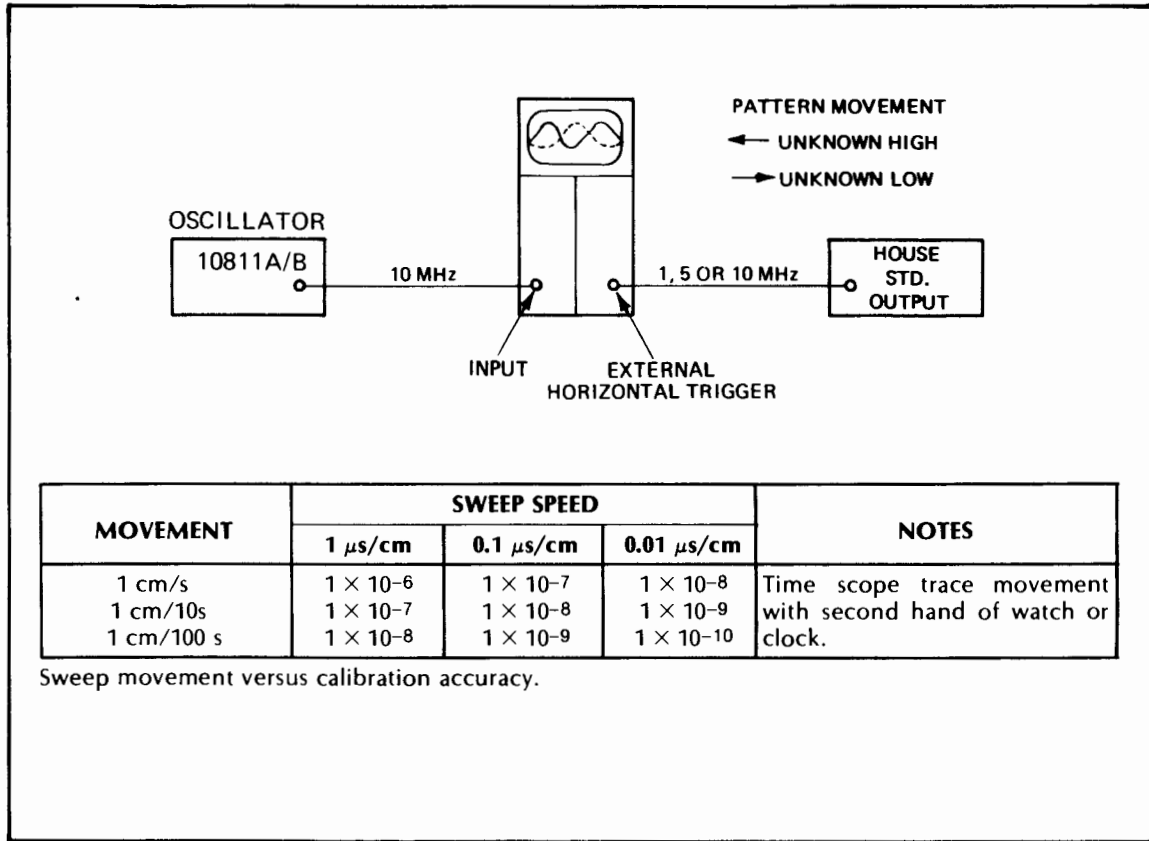


Figure 5-1. Oscillator Adjustment Setup

- b. Connect oscillator output to Channel A of the oscilloscope. Adjust sweep speed so pattern movement can be seen.
- c. Adjust oscillator frequency adjustment (FREQ ADJ on 10811A/B Crystal Oscillator unit) for minimum sideways movement of the 10 MHz displayed signal. Increase oscilloscope sweep speed for greater resolution.

5-13. Offset Calculation:

- a. By timing the sideways movement (divisions per second on the oscilloscope), the approximate offset can be determined based on the oscilloscope sweep speed as shown below.
- b. For example, if the trace moves 5 divisions in 10 seconds and the sweep speed is 0.01  $\mu\text{s}/\text{div.}$ , the oscillators signal is within  $5 \times 10^{-9}$  of the reference frequency. The calculation can also be made as follows:

$$\frac{\Delta f}{f} = \frac{\Delta t}{t}$$

$$\frac{\Delta f}{f} = \frac{5 \times 0.01 \mu\text{s}/\text{div.}}{10 \text{ s}} = 5 \times 10^{-9}$$

Where:

- $\frac{\Delta f}{f}$  is the normalized frequency difference between the 10811A/B and the reference signal
- $\Delta t$  is the change observed in the oscilloscope
- $t$  is the time required for  $\Delta t$  to occur.

## 5-14. OUTPUT AMPLITUDE ADJUSTMENT

5-15. The output amplitude is adjusted by the setting of the variable resistor R6 which is in the feedback of the AGC circuitry. It is not accessible from the outside of the oscillator.

5-16. The following procedure should be used to adjust the output amplitude *only if* the output level falls outside the specified level, or repairs have been made to the main oscillator or AGC circuitry.

1. Remove oscillator from instrument.

### WARNING

**THE OSCILLATOR'S INTERNAL OVEN MASS TEMPERATURE MAY BE AS HIGH AS 85°C (185°F). TO AVOID SERIOUS BURNS DO NOT REMOVE OSCILLATOR CIRCUITS AND/OR OVEN MASS ASSEMBLY FROM THE OUTER HOUSING UNTIL THE OSCILLATOR HAS SUFFICIENTLY COOLED (APPROXIMATELY 1 HOUR WITH BOTTOM COVER AND FOAM INSULATOR REMOVED). THE OUTER HOUSING TEMPERATURE IS NOT A RELIABLE INDICATION OF THE INTERNAL TEMPERATURE.**

2. Remove bottom cover and allow oscillator to cool (if previously operated). To remove cover:
  - a. For the 10811A, remove the three screws securing the bottom cover. Remove the two screws securing the P.C. edge connector to the outer can. Remove the top foam insulator to expose the oscillator circuits.

### CAUTION

**DO NOT pull the oscillator out of the outer housing by pulling on the P.C. edge connector or flex circuit!!**

- b. For the 10811B remove the four screws securing the bottom cover. Disconnect the bottom cover flex circuit from the seven pin connector.
3. Once the oscillator is cool enough to handle, remove the oscillator assembly by pushing on the tuning capacitor (top of oscillator) with a long, small diameter tool until the oscillator assembly can be removed freely.

### NOTE

Under no circumstances should the oven circuit be operated with the oven mass removed from the outer housing. To do so will cause damage to components inside the oven mass.

4. Obtain HP Model 6215A Power Supply or equivalent. Preset power supply to 12V dc. Turn off power supply before proceeding to next step.

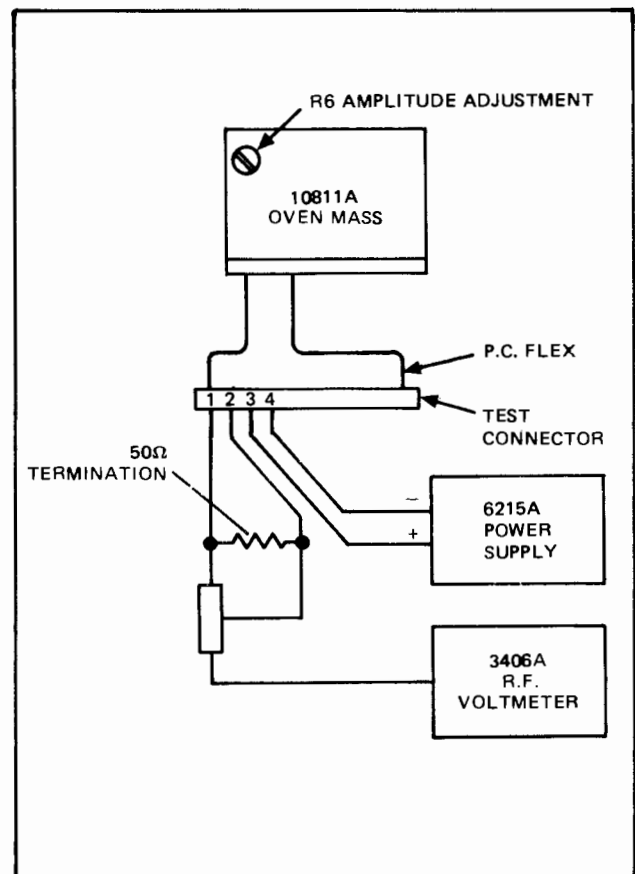


Figure 5-2. 10811A Amplitude Adjustment Set-up



Model 10811A/B  
Adjustments

5. For the 10811A, connect Model 6215A Power Supply to pins 2 (-) and 3 (+) of a 15 pin printed circuit connector.
  - a. Insert the 10811A P.C. edge connector into the 15 pin P.C. connector. (See Section VIII for a special 10811A test connector.)
  - b. Connect pin 1 of the 15 pin pc connector through a  $50\Omega$  termination (use pin 2 as ground) to a 3406A Sampling Voltmeter. See Figure 5-2. **Do not apply power to the oven circuits.**
6. For the 10811B, reconnect the flex circuit attached to the bottom cover and connect the 6215A as shown in Figure 5-3. **DO NOT APPLY POWER TO THE OVEN CIRCUITS.** A Micon to BNC adaptor is available for the 10 MHz output (HP Part Number 05060-6116).
7. For both 10811A and B, turn on the 6215A power supply and adjust R6 AGC control for .55V rms  $\pm 50$  mV as read on the 3406A Sampling Voltmeter. R6 is accessible through the small hole in the side of the oven mass.
8. Turn off the 6215A power supply and reassemble the oscillator.

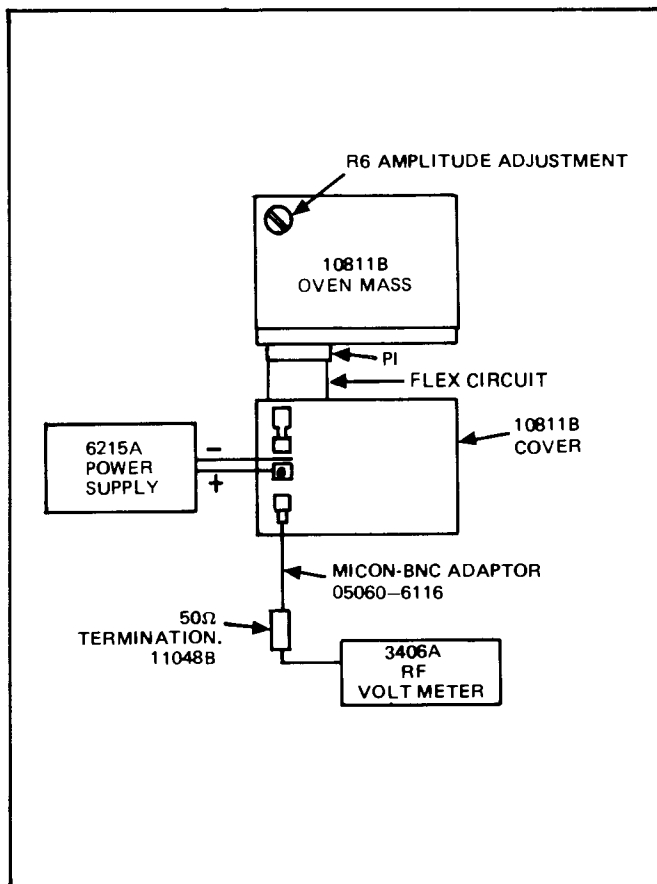


Figure 5-3. 10811B Amplitude Adjustment Set-up

## SECTION VI REPLACEABLE PARTS

### 6-1. INTRODUCTION

6-2. This section contains information for ordering replacement parts. *Table 6-1* lists parts in alphanumerical order of their reference designators and indicates the description and HP Part Number of each part, together with any applicable notes. The table includes the following information.

- a. Description of part (see abbreviations below).
- b. Typical manufacturer of the part in a five-digit code; see list of manufacturers in *Table 6-2*.
- c. Manufacturer's part number.
- d. Total quantity used in the instrument (Qty column).

### 6-3. ORDERING INFORMATION

6-4. To obtain replacement parts, address order of inquiry to your local Hewlett-Packard Sales and Service Office (see lists at rear of this manual for addresses). Identify parts by their Hewlett-Packard part numbers.

- a. Instrument model number.
- b. Instrument serial number.
- c. Description of the part.
- d. Function and location of the part.
- e. Check digit.
- f. Quantity required.

### 6-5. HP PART NUMBER ORGANIZATION

6-6. The following is a general description of the HP part number system.

## 6-7. Component Parts and Materials

6-8. Generally, the prefix of HP part numbers identifies the type of device. Eight-digit part numbers are used, where the four-digit prefix identifies the type of component, part, or material and the four-digit suffix indicates the specific type. Following is a list of some of the more commonly used prefixes for component parts. The list includes HP manufactured parts and purchased parts.

Prefix	Component/Part/Material
0121-	Capacitors, Variable (mechanical)
0122-	Capacitors, Voltage Variable (semiconductor)
0140-	Capacitors, Fixed
0150-	Capacitors, Fixed, Non-Electrolytic
0160-	Capacitors, Fixed
0180-	Capacitors, Fixed Electrolytic
0330-	Insulating Materials
0340-	Insulators, Formed
0370-	Knobs, Control
0380-	Crystals
0470-	Adhesives
0490-	Relays
0510-	Fasteners
0674- through 0778-	Resistors, Fixed (non wire wound)
0811- through 0831-	Resistors (wire wound)
1200-	Sockets for components
1205-	Heat Sinks
1250-	Connectors (RF and related parts)
1251-	Connectors (non RF and related parts)
1410-	Bearings and Bushings
1420-	Batteries
1820-	Monolithic Digital Integrated Circuits
1826-	Monolithic Linear Integrated Circuits
1850-	Transistors, Germanium PNP
1851-	Transistors, Germanium NPN
1853-	Transistors, Silicon PNP
1854-	Transistors, Silicon NPN
1855-	Field-Effect-Transistors
1900- through 1912-	Diodes
1920- through 1952-	Vacuum Tubes
1990-	Semiconductor Photosensitive and Light-emitting Diodes
3100- through 3106-	Switches
8120-	Cables
9100-	Transformers, Coils, Chokes, Inductors, and Filters

6-9. For example, 1854-0037, 1854-0221 and 1851-0192 are all NPN transistors. The first two are silicon and the last is germanium.

## 6-10. GENERAL USAGE PARTS

6-11. The following list gives the prefixes for HP manufactured parts used in several instruments, e.g., side frames, feet, top and bottom covers, etc. These are eight-digit part numbers with the four-digit prefix identifying the type of parts as shown below:

Type of Part	Prefix
Sheet Metal	5000- to 5019-
Machined	5020- to 5039-
Molded	5040- to 5059-
Assemblies	5060- to 5079-
Components	5080- to 5099-

## 6-12. Specific Instrument Parts

6-13. These are HP manufactured parts for use in individual instruments or series of instruments. For these parts, the prefix indicates the instrument and the suffix indicates the type of part. For example, 05328-60001 is an assembly used in the 5328A. Following is a list of suffixes commonly used.

Type of Part	P/N Suffix
Sheet Metal	-00000 to -00499
Machined	-20000 to -20499
Molded	-40000 to -40499
Assembly	-60000 to -60499
Component	-80000 to -80299
Documentation	-90000 to -90249

## 6-14. Factory Selected Parts

6-15. Some of the values in the parts lists are selected during manufacture to meet circuit requirements. These parts are marked with an asterisk (\*) in the parts list and schematic diagrams, with average values shown.

6-16. The 10811A/B Oscillator contains only one factory selected part which is R20 OVEN TEMPERATURE SET resistor. This resistor is supplied with the crystal, should the crystal require replacement. *Table 8-1* lists the various resistors and their corresponding part numbers.

## 6-20. REPLACEABLE PARTS LIST LAYOUT

6-21. The 10811A and 10811B Oscillators are identical internally, except that the 10811B has had the 15-pin pc edge connector removed and a 7-pin connector (J1) placed on the board for the 10811B bottom cover flex circuit (see Figure 8-15). The only other difference is the outer housings. Thus the parts lists for the circuit boards are identical. The parts lists are set up in the following manner:

1. 10811A and 10811B Circuit Board Components and Miscellaneous Parts.
2. 10811A and 10811B Transistor Mounting Hardware.
3. 10811A and 10811B Oven Mass Assembly and covers.
4. 10811A Mechanical Parts (Housing).
5. 10811B Mechanical Parts (Housing).

Model 10811A/B  
Replaceable Parts

Table 6-1. Replaceable Parts

Reference Designation	HP Part Number	C D	Qty	Description	Mfr Code	Mfr Part Number
	10811-60001	3	1	CIRCUIT BOARD COMPONENTS 10811A/B	28480	10811-60001
C1	0121-0511	6	1	TUNING CAPACITOR	28480	0121-0511
C2	0160-0576	5	11	CAPACITOR-FXD .1UF +-20% 50VDC CER	28480	0160-0576
C3	0160-5109	0	1	CAPACITOR-FXD 15PF +-5% 50VDC CER 0+-30	28480	0160-5109
C4	0160-0576	5		CAPACITOR-FXD .1UF +-20% 50VDC CER	28480	0160-0576
C5	0160-0576	5		CAPACITOR-FXD .1UF +-20% 50VDC CER	28480	0160-0576
C6	0160-4935	8	1	CAPACITOR-FXD 510PF +-1% 100VDC CER	72982	8121-100-C060-511F
C7	0160-0576	5		CAPACITOR-FXD .1UF +-20% 50VDC CER	28480	0160-0576
C8	0160-5110	3	1	CAPACITOR-FXD 62PF +-1% 50VDC CER 0+-30	28480	0160-5110
C9	0160-0576	5		CAPACITOR-FXD .1UF +-20% 50VDC CER	28480	0160-0576
C10	0160-3874	2	2	CAPACITOR-FXD 10PF +-5PF 200VDC CER	28480	0160-3874
C11	0160-0576	5		CAPACITOR-FXD .1UF +-20% 50VDC CER	28480	0160-0576
C12	0160-4512	7	2	CAPACITOR-FXD 120PF +-5% 200VDC CER	51642	200-200-NP0-121J
C13	0160-3879	7	3	CAPACITOR-FXD .01UF +-20% 100VDC CER	28480	0160-3879
C14	0160-0576	5		CAPACITOR-FXD .1UF +-20% 50VDC CER	28480	0160-0576
C15	0160-2617	1	1	CAPACITOR-FXD 6.8UF+-10% 35VDC TA	25088	D6R8G81B35K
C16	0160-0576	5		CAPACITOR-FXD .1UF +-20% 50VDC CER	28480	0160-0576
C17	0160-3874	2		CAPACITOR-FXD 10PF +-5PF 200VDC CER	28480	0160-3874
C18	0160-4947	2	1		28480	0160-4947
C19	0160-3879	7		CAPACITOR-FXD .01UF +-20% 100VDC CER	28480	0160-3879
C20	0160-3879	7		CAPACITOR-FXD .01UF +-20% 100VDC CER	28480	0160-3879
C21	0160-0576	5		CAPACITOR-FXD .1UF +-20% 50VDC CER	28480	0160-0576
C22	0160-0576	5		CAPACITOR-FXD .1UF +-20% 50VDC CER	28480	0160-0576
C23	0160-4512	7		CAPACITOR-FXD 120PF +-5% 200VDC CER	51642	200-200-NP0-121J
C24	0160-0576	5		CAPACITOR-FXD .1UF +-20% 50VDC CER	28480	0160-0576
CR1	0122-0244	4	1	DIODE-VVC 100PF 5% C4/C25=MIN=2 BVR=30V	28480	0122-0244
CR2	1901-0869	2	1	DIODE-CUR RGLTR 1N5297 DO-7	04713	1N5297
CR3	1902-0984	4	1	DIODE-ZNR 6.4V 2% DO-7 PD=.4W TC=+.002%	28480	1902-0984
CR4	1901-0535	9	3	DIODE-SCHOTTKY	28480	1901-0535
CR5	1901-0535	9		DIODE-SCHOTTKY	28480	1901-0535
CR6	1901-0535	9		DIODE-SCHOTTKY	28480	1901-0535
E1	9170-0029		1	FERRITE BEAD (FOR Q1)	28480	9170-0029
F1	2110-0617	6	1	FUSE-THERMAL	28480	2110-0617
L1	9100-2280	5	5	INDUCTORRF-CH=M-LD 220UH 10% .105DX,26LG	28480	9100-2280
L2	9140-0352	2	1	INDUCTORRF-CH=M-LD 330NH 1% .105DX,26LG	28480	9140-0352
L3	9140-0353	3	1	INDUCTORRF-CH=M-LD 430NH 1% .105DX,26LG	28480	9140-0353
L4	9100-2276	9	1	INDUCTORRF-CH=M-LD 100UH 10% .105DX,26LG	28480	9100-2276
L5	9100-2280	5		INDUCTORRF-CH=M-LD 220UH 10% .105DX,26LG	28480	9100-2280
L6	9100-2280	5		INDUCTORRF-CH=M-LD 220UH 10% .105DX,26LG	28480	9100-2280
L7	9100-2280	5		INDUCTORRF-CH=M-LD 220UH 10% .105DX,26LG	28480	9100-2280
L8	9100-2280	5		INDUCTORRF-CH=M-LD 220UH 10% .105DX,26LG	28480	9100-2280
Q1	1854-0853	3	3	TRANSISTOR, SPL 2N5179	28480	1854-0853
Q2	1854-0853	3		TRANSISTOR, SPL 2N5179	28480	1854-0853
Q3	1854-0853	3		TRANSISTOR, SPL 2N5179	28480	1854-0853
Q4	1854-0831	7	2	TRANSISTOR NPN 2N6429A TO-92 PD=625MW	04713	2N6429A
Q5	1854-0831	7		TRANSISTOR NPN 2N6429A TO-92 PD=625MW	04713	2N6429A
Q6	1854-0023	9	1	TRANSISTOR NPN SI TO-18 PD=360MW	28480	1854-0023
Q7	10811-80001	0	2	TRANSISTOR NPN SI DARL TO=220A8 PD=70W	04713	10811-80001
Q8	10811-80001	0		TRANSISTOR NPN SI DARL TO=220A8 PD=70W	04713	10811-80001
Q9	1854-0833	9	1	TRANSISTOR NPN PD=600MW FT=600MHZ	28480	1854-0833
R1	0698-7284	5	5	RESISTOR 100K 1% .05W F TC=0+-100	24546	C3=1/8-T0=1003-G
R2	0698-7284	5		RESISTOR 100K 1% .05W F TC=0+-100	24546	C3=1/8-T0=1003-G
R3	0699-0073	8	2	RESISTOR 10M 1% .125W F TC=0+-100	28480	0699-0073
R4	0699-0073	8		RESISTOR 10M 1% .125W F TC=0+-100	28480	0699-0073
R5	0698-7263	0	1	RESISTOR 13.3K 1% .05W F TC=0+-100	24546	C3=1/8-T0=1332-G
R6	2100-2489	9	1	RESISTOR-TRMR 5K 10% C SIDE-ADJ 1-TRN	30983	ET50X502
R7	0698-7272	1	1	RESISTOR 31.6K 1% .05W F TC=0+-100	24546	C3=1/8-T0=3162-G
R8	0698-7232	3		RESISTOR 681 1% .05W F TC=0+-100	24546	C3=1/8-T0=681R-G
R9	0698-7256	1	2	RESISTOR 6.81K 1% .05W F TC=0+-100	24546	C3=1/8-T0=6811-G
R10	0698-7256	1		RESISTOR 6.81K 1% .05W F TC=0+-100	24546	C3=1/8-T0=6811-G
R11	0698-7244	7	1	RESISTOR 2.15K 1% .05W F TC=0+-100	24546	C3=1/8-T0=2151-G
R12	0698-7261	8	1	RESISTOR 11K 1% .05W F TC=0+-100	24546	C3=1/8-T0=1102-G
R13	0698-7224	3		RESISTOR 316 1% .05W F TC=0+-100	24546	C3=1/8-T0=316R-G
R14	0698-7280	1	1	RESISTOR 68.1K 1% .05W F TC=0+-100	24546	C3=1/8-T0=6812-G
R15	0698-7284	5		RESISTOR 100K 1% .05W F TC=0+-100	24546	C3=1/8-T0=1003-G
R16	0698-7235	6		RESISTOR 909 1% .05W F TC=0+-100	24546	C3=1/8-T0=909R-G
R17	0698-7260	7	2	RESISTOR 10K 1% .05W F TC=0+-100	24546	C3=1/8-T0=1002-G
R18	0698-3903	7	5	RESISTOR 8.6K 1% .05W F TC=0+-10	28480	0698-3903
R19	0698-3903	7		RESISTOR 8.6K 1% .05W F TC=0+-10	28480	0698-3903
R20*	0698-0096	3	1	RESISTOR 968 1% .125W F TC=0+-100	03888	PME55-1/8-T0=9680-F
R20*	0698-3495	2	1	RESISTOR 866 1% .125W F TC=0+-100	24546	C4=1/8-T0=866R-F
R20*	0698-3512	4	1	RESISTOR 1.18K 1% .125W F TC=0+-100	24546	C4=1/8-T0=1181-F

See introduction to this section for ordering information  
\*Indicates factory selected value

Table 6-1. Replaceable Parts (Continued)

Reference Designation	HP Part Number	C D	Qty	Description	Mfr Code	Mfr Part Number
R20*	0698-3700	2	1	RESISTOR 715 1X .125W F TC0+100	24546	C4-1/8-T0-715R-F
R20*	0698-4014	3	1	RESISTOR 787 1X .125W F TC0+100	24546	C4-1/8-T0-787R-F
R20*	0698-4196	2	1	RESISTOR 1.07K 1X .125W F TC0+100	24546	C4-1/8-T0-1071-F
R20*	0698-4460	3	1	RESISTOR 649 1X .125W F TC0+100	24546	C4-1/8-T0-649R-F
R20*	0698-4465	8	1	RESISTOR 931 1X .125W F TC0+100	24546	C4-1/8-T0-931R-F
R20*	0698-4469	2	1	RESISTOR 1.15K 1X .125W F TC0+100	24546	C4-1/8-T0-1151-F
R20*	0698-5852	9	1	RESISTOR 500 1X .125W F TC0+100	24546	C4-1/8-T0-500R-F
R20*	0698-6970	4	1	RESISTOR 1.04K .5X .125W F TC0+50	28480	0698-6970
R20*	0698-6973	7	1	RESISTOR 1.25K .25X .125W F TC0+25	28480	0698-6973
R20*	0698-6981	7	1	RESISTOR 1.29K .5X .125W F TC0+50	28480	0698-6981
R20*	0698-7201	6	1	RESISTOR 34.8 1X .05W F TC0+100	24546	C3-1/8-T00-348R-G
R20*	0698-7207	2	1	RESISTOR 61.9 1X .05W F TC0+100	24546	C3-1/8-T00-619R-G
R20*	0698-7212	9	1	RESISTOR 100 1X .05W F TC0+100	24546	C3-1/8-T0-100R-G
R20*	0698-7214	1	1	RESISTOR 121 1X .05W F TC0+100	24546	C3-1/8-T0-121R-G
R20*	0698-7217	4	1	RESISTOR 162 1X .05W F TC0+100	24546	C3-1/8-T0-162R-G
R20*	0698-7219	6	1	RESISTOR 196 1X .05W F TC0+100	24546	C3-1/8-T0-196R-G
R20*	0698-7220	9	2	RESISTOR 215 1X .05W F TC0+100	24546	C3-1/8-T0-215R-G
R20*	0698-7222	1	1	RESISTOR 261 1X .05W F TC0+100	24546	C3-1/8-T0-261R-G
R20*	0698-7223	2	1	RESISTOR 287 1X .05W F TC0+100	24546	C3-1/8-T0-287R-G
R20*	0698-7224	3	2	RESISTOR 316 1X .05W F TC0+100	24546	C3-1/8-T0-316R-G
R20*	0698-7225	4	1	RESISTOR 348 1X .05W F TC0+100	24546	C3-1/8-T0-348R-G
R20*	0698-7226	5	1	RESISTOR 383 1X .05W F TC0+100	24546	C3-1/8-T0-383R-G
R20*	0698-7227	6	1	RESISTOR 422 1X .05W F TC0+100	24546	C3-1/8-T0-422R-G
R20*	0698-7228	7	1	RESISTOR 464 1X .05W F TC0+100	24546	C3-1/8-T0-464R-G
R20*	0698-7229	8	2	RESISTOR 511 1X .05W F TC0+100	24546	C3-1/8-T0-511R-G
R20*	0698-7230	1	1	RESISTOR 562 1X .05W F TC0+100	24546	C3-1/8-T0-562R-G
R20*	0698-7231	2	1	RESISTOR 619 1X .05W F TC0+100	24546	C3-1/8-T0-619R-G
R20*	0698-7232	3	4	RESISTOR 681 1X .05W F TC0+100	24546	C3-1/8-T0-681R-G
R20*	0698-7233	4	1	RESISTOR 750 1X .05W F TC0+100	24546	C3-1/8-T0-750R-G
R20*	0698-7234	5	1	RESISTOR 825 1X .05W F TC0+100	24546	C3-1/8-T0-825R-G
R20*	0698-7235	6	2	RESISTOR 909 1X .05W F TC0+100	24546	C3-1/8-T0-909R-G
R20*	0698-7236	7	1	RESISTOR 1K 1X .05W F TC0+100	24546	C3-1/8-T0-1001-G
R20*	0698-7237	8	1	RESISTOR 1.1K 1X .05W F TC0+100	24546	C3-1/8-T0-1101-G
R20*	0698-7238	9	1	RESISTOR 1.21K 1X .05W F TC0+100	24546	C3-1/8-T0-1211-G
R20*	0698-7239	0	1	RESISTOR 1.33K 1X .05W F TC0+100	24546	C3-1/8-T0-1331-G
R20*	0757-1100	8	1	RESISTOR 600 1X .125W F TC0+100	24546	C4-1/8-T0-601-F
R21	0698-3903	7	1	RESISTOR 8.6K .1X .05W F TC0+10	28480	0698-3903
R22	0698-8827	4	2	RESISTOR 1M 1X .125W F TC0+100	28480	0698-8827
R23	0698-8827	4	1	RESISTOR 1M 1X .125W F TC0+100	28480	0698-8827
R24	0699-0071	6	1	RESISTOR 4.64M 1X .125W F TC0+100	28480	0699-0071
R25	0698-7273	2	1	RESISTOR 34.8K 1X .05W F TC0+100	24546	C3-1/8-T0-3482-G
R26	0698-3903	7	1	RESISTOR 8.6K .1X .05W F TC0+10	28480	0698-3903
R27	0698-3903	7	1	RESISTOR 8.6K .1X .05W F TC0+10	28480	0698-3903
R28	0698-7265	2	1	RESISTOR 16.2K 1X .05W F TC0+100	24546	C3-1/8-T0-1622-G
R29	0698-7260	7	1	RESISTOR 10K 1X .05W F TC0+100	24546	C3-1/8-T0-1002-G
R30	0698-7267	4	1	RESISTOR 19.6K 1X .05W F TC0+100	24546	C3-1/8-T0-1962-G
R31	0698-7220	9	1	RESISTOR 215 1X .05W F TC0+100	24546	C3-1/8-T0-215R-G
R32	0698-7250	5	2	RESISTOR 3.83K 1X .05W F TC0+100	24546	C3-1/8-T0-3831-G
R33	0698-7284	5	1	RESISTOR 100K 1X .05W F TC0+100	24546	C3-1/8-T0-1003-G
R34	0698-7247	0	1	RESISTOR 2.87K 1X .05W F TC0+100	24546	C3-1/8-T0-2871-G
R35	0698-7250	5	1	RESISTOR 3.83K 1X .05W F TC0+100	24546	C3-1/8-T0-3831-G
R36	0698-7284	5	1	RESISTOR 100K 1X .05W F TC0+100	24546	C3-1/8-T0-1003-G
R37	0698-7232	3	1	RESISTOR 681 1X .05W F TC0+100	24546	C3-1/8-T0-681R-G
R38	0698-8812	7	2	RESISTOR 1 1X .125W F TC0+100	28480	0698-8812
R39	0698-8812	7	1	RESISTOR 1 1X .125W F TC0+100	28480	0698-8812
R40	0698-7229	8	1	RESISTOR 511 1X .05W F TC0+100	24546	C3-1/8-T0-511R-G
R41	0698-7215	2	1	RESISTOR 133 1X .05W F TC0+100	24546	C3-1/8-T0-133R-G
R42	0698-7232	3	1	RESISTOR 681 1X .05W F TC0+100	24546	C3-1/8-T0-681R-G
T1	9100-0423	4	1	TRANSFORMER RF, WIND 9T PRI & 3T SEC	28480	9100-0423
U1	1826-0611	2	1	IC OP AMP GP DUAL 8-DIP-P	27014	LM2904N
U2	1826-0316	4	1	V REF TO-5	27014	LM0070-1M
U3	1826-0072	9	1	IC OP AMP LOW-BIAS-N=IMPD TO-99	07263	UA208N
Xp1	1251-1556	7	2	CONNECTOR-SGL CONT SKT .018-IN-BSC-SZ	28480	1251-1556
Y1	10811-60108	7	1	CRYSTAL-10MHZ W/R20 TEMP SET (REPAIR ONLY)	28480	10811-60108
	2260-0009	3	1	NUT-HEX-W/LKWR 4-40-THD .094-IN-THK	00000	ORDER BY DESCRIPTION

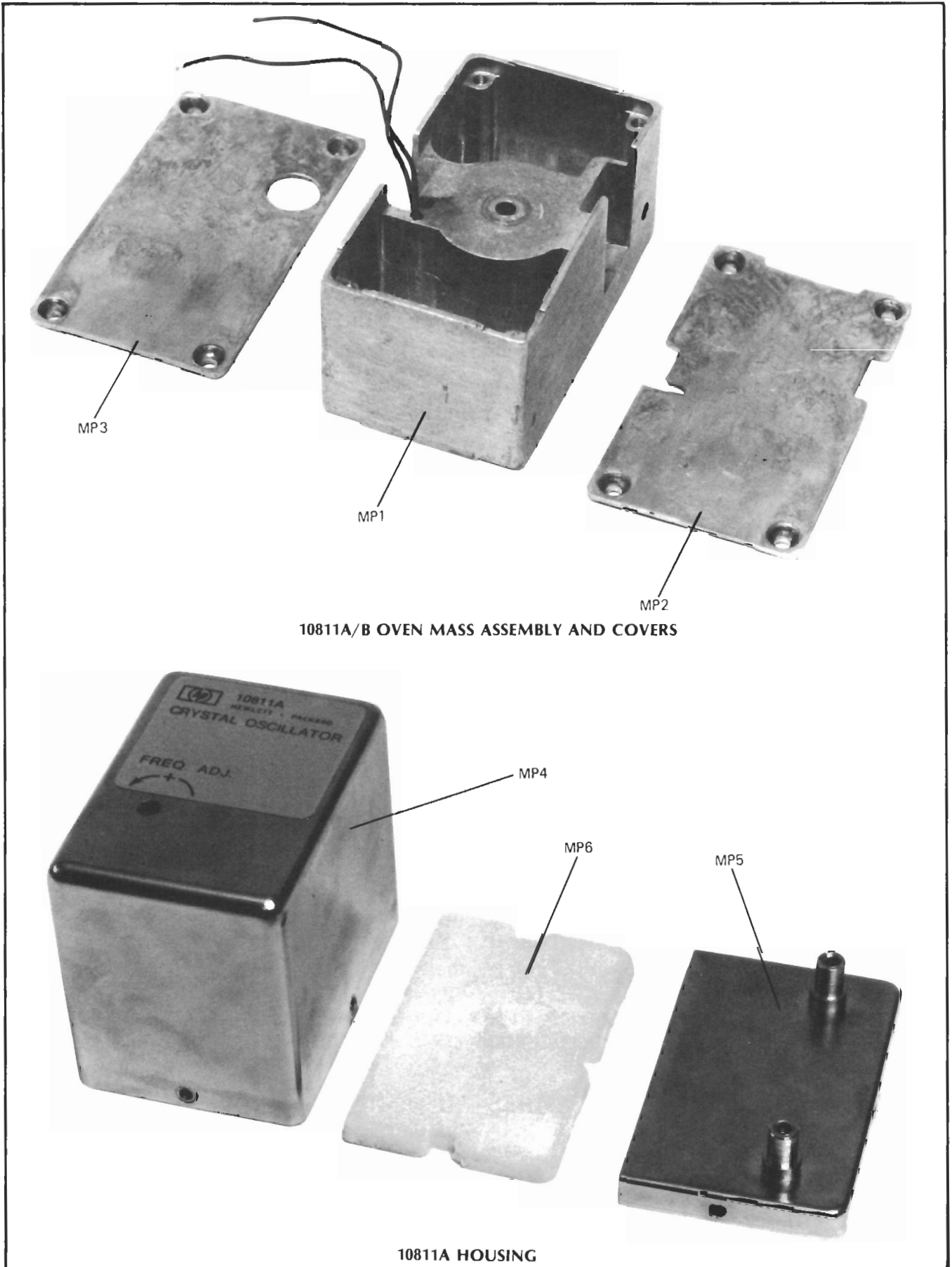
See introduction to this section for ordering information  
\*Indicates factory selected value

Model 10811A/B  
Replaceable Parts

Table 6-1. Replaceable Parts (Continued)

Reference Designation	HP Part Number	C D	Qty	Description	Mfr Code	Mfr Part Number
				<b>10811A/B CIRCUIT BOARD MISCELLANEOUS PARTS</b>		
	1200-0868	5	1	SOCKET-STRP 7-CONT DIP-SLDR	28480	1200-0868
	0360-1244	0	3	TERMINAL-SPCL FEEDTHRU	28480	0360-1244
	3050-0588	9	1	WASHER-FL NM NO. 6 .145-IN-ID .23-IN-OD	28480	3050-0588
	0360-1682	0	2	TERMINAL-STUD SGL-TUR PRESS-MTG	28480	0360-1682
	10811-40002	4	1	FOAM SHEET-(BELOW OVEN CONTROLLER ASSY)	28480	10811-40002
				<b>10811A/B TRANSISTOR MOUNTING HARDWARE</b>		
	2200-0103	2		SCREW 4-40 .250	28480	2200-0103
	2190-0004	2		WASHER, FLAT	28480	2190-0004
	3050-0756	2		NYLON INSULATOR	28480	3050-0756
	0340-0864	2		TRANSISTOR INSULATOR	28480	0340-0864
				<b>10811A/B MASS ASSEMBLY AND COVERS</b>		
MP1	10811-60106	1		OVEN MASS ASS. W/THERMISTOR	28480	10811-60106
MP2	10811-20202	1		MASS COVER W/XISTOR CUT-OUTS	28480	10811-20202
MP3	10811-20203	1		MASS COVER W/TUNING CAP HOLE	28480	10811-20203
	0520-0166	8		SCREW	28480	0520-0166
				<b>10811A MECHANICAL PARTS</b>		
MP4	10811-20206	1		OUTER HOUSING (FOAMED)	28480	10811-20212
MP5	10811-20211	1		BOTTOM COVER	28480	10811-20211
MP6	10811-40001	1		FOAM COOKIE UNDER BOT COV	28480	10811-40001
				<b>10811A MISCELLANEOUS PARTS</b>		
	3030-0827	2		SCREWS FOR P.C. CONNECTOR	28480	3030-0827
	2200-0101	3		SCREWS FOR BOTTOM COVER	28480	2200-0101
	7120-7912	1		INFO LABEL 10811A	28480	7120-7912
	7120-0331	1		INFO LABEL 10811-60101	28480	7121-0331
				<b>10811B MECHANICAL PARTS</b>		
MP7	10811-20205	1		OUTER HOUSING (FOAMED)	28480	10811-20213
MP8	10811-60107	1		BOTTOM COVER COMPLETE	28480	10811-60107
MP9	1250-0911	1		EFC SHORTING CONNECTOR	28480	1250-0911
				<b>10811B MISCELLANEOUS PARTS</b>		
	2200-0164	4		SCREW 4-40 .188 TOP	28480	2200-0164
	7120-7911	1		INFO LABEL "FREQ ADJ."	28480	7120-7911
	7120-6299	1		INFO LABEL HOUSING	28480	7120-6299
	05060-6116	1		ADAPTOR MICON-BNC*	28480	05060-6116
				*MICON TO BNC ADAPTOR NOT SUPPLIED. PART NUMBER FOR REFERENCE ONLY.		

See introduction to this section for ordering information  
\*Indicates factory selected value

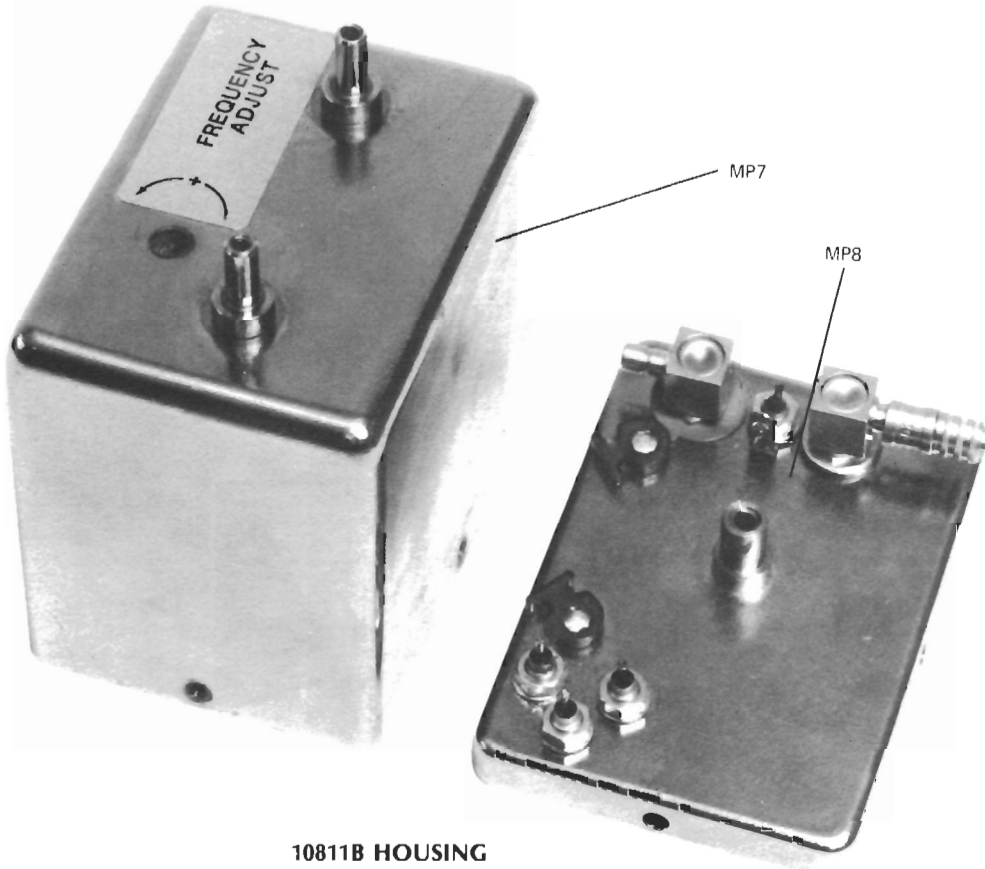


10811A/B OVEN MASS ASSEMBLY AND COVERS

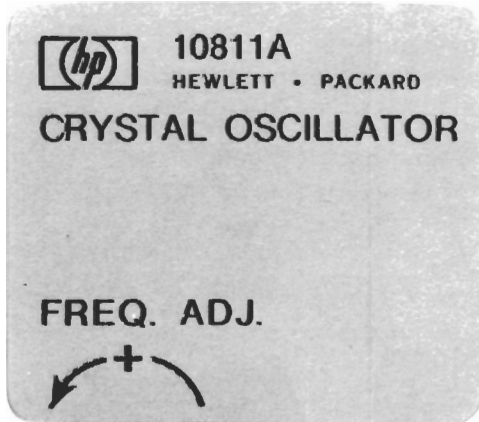
10811A HOUSING

Figure 6-1. Mechanical Parts

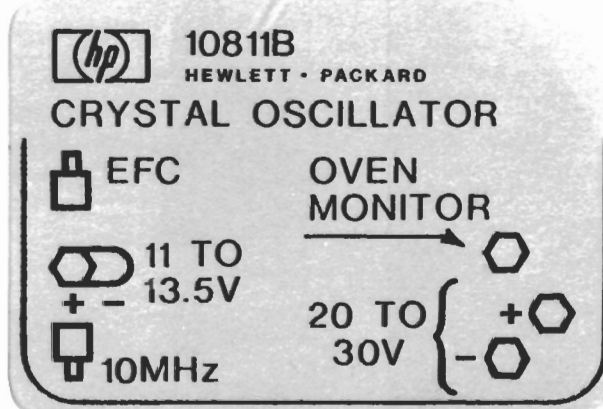




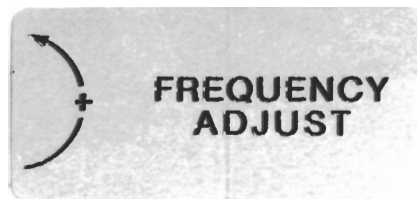
10811B HOUSING



10811A 7210-7912  
10811-60101 7121-0331



7120 6299



7120-7911

10811A/B LABELS

Figure 6-1. Mechanical Parts (Continued)

Table 6-2. Manufacturers Code List

MFR. NO.	MANUFACTURER NAME	ADDRESS	ZIP CODE
00000	ANY SATISFACTORY SUPPLIER		
03888	KDI PYROFILM CORP	WHIPPANY, NJ	07981
04713	MOTOROLA SEMICONDUCTOR PRODUCTS	PHOENIX, AZ	85062
07263	FAIRCHILD SEMICONDUCTOR DIV	MOUNTAIN VIEW, CA	94042
24546	CORNING GLASS WORKS (BRADFORD)	BRADFORD, PA	16701
25088	SIEMENS CORP	ISELIN, NJ	08830
27014	NATIONAL SEMICONDUCTOR CORP	SANTA CLARA, CA	95051
28480	HEWLETT-PACKARD CO CORPORATE HQ	PALO ALTO, CA	94304
30983	MEPCO/ELECTRA CORP	SAN DIEGO, CA	92121
51642	CENTRE ENGINEERING INC	STATE COLLEGE, PA	16801
72982	ERIE TECHNOLOGICAL PRODUCTS INC	ERIE, PA	16512

## **SECTION VII MANUAL CHANGES**

### **7-1. INTRODUCTION**

7-2. This section contains information necessary to adapt this manual to apply to older instruments.

### **7-3. MANUAL CHANGES**

7-4. This manual applies directly to Model 10811A/B Quartz Crystal Oscillators with serial prefix number 2028.

### **7-5. NEWER INSTRUMENTS**

7-6. As engineering changes are made, newer instruments may have serial prefix numbers higher than those listed on the title page of this manual. The manuals for these instruments will be supplied with "Manual Changes" pages containing the required information to update the manual. Replace affected pages or modify existing manual information as described in the "Manual Changes" pages. See Section VI of this manual for a description of board identification. If the series number etched or stamped on any circuit board or circuit board assembly is higher than the above serial prefix number, "Manual Changes" pages should accompany the manual.

7-7. If the "Manual Change" pages are missing from any HP manual, the information can be supplied by any Hewlett-Packard Sales and Service Office listed at the back of this manual.

## SECTION VIII SERVICE

### 8-1. INTRODUCTION

8-2. This section contains theory of operation, a detailed troubleshooting procedure, and a schematic diagram.

### 8-3. SCHEMATIC DIAGRAM SYMBOLS AND REFERENCE DESIGNATORS

8-4. *Figure 8-1* shows the symbols used in the schematic diagram. At the bottom of *Figure 8-1*, the system for reference designators, assemblies, and subassemblies is shown.

### 8-5. REFERENCE DESIGNATORS

### 8-6. Theory of Operation

8-7. The overall theory of operation for the 10811A/B starts with paragraph 8-9. The detailed theory of operation starts with paragraph 8-13.

### 8-8. OVERALL BLOCK DIAGRAM THEORY

8-9. The 10811A/B Quartz Crystal Oscillator is an extremely stable, compact, low-power source of 10 MHz. The crystal, along with the oscillator, circuit buffer amplifier, and oven control circuits are all mounted inside a thermally insulated housing.

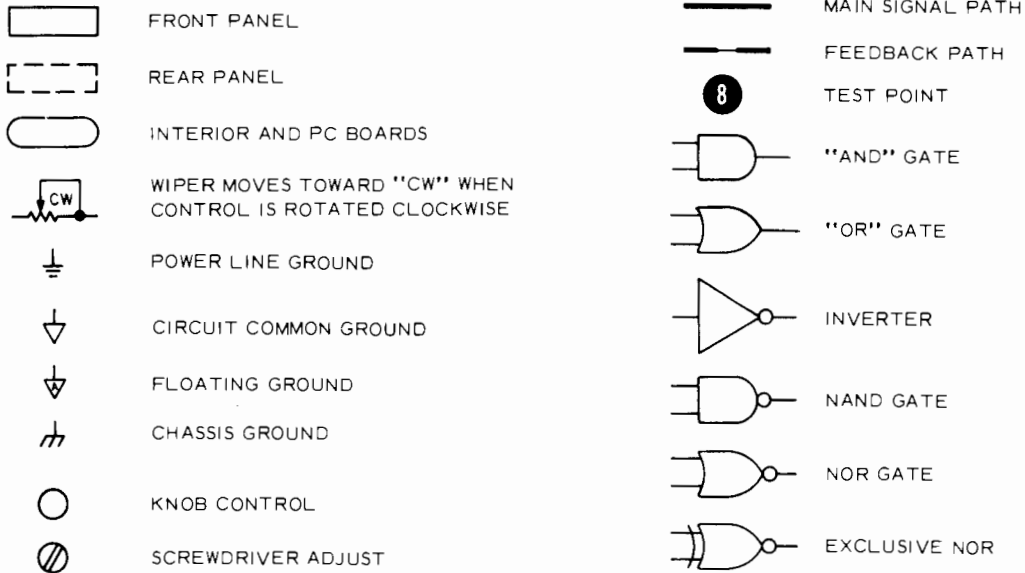
8-10. A detailed block diagram of the 10811A/B oscillator is shown in *Figure 8-2*.

8-11. The 10811A/B oscillator is divided into three sections with each section connected by a .010-inch thick flexible circuit. Three small circuit boards are bonded to the flexible circuit to provide support in the areas where components are located. The arrangement allows the unit to be easily disassembled and operated in the disassembled state on the service bench.

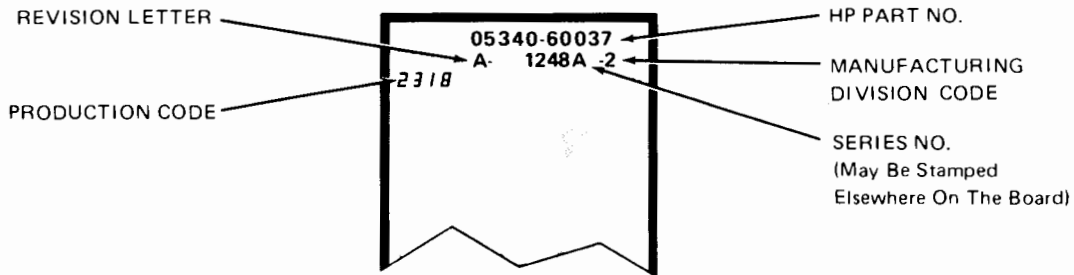
8-12. The three sections can be divided into the following subsections (*Figure 8-2*):

1. Main Oscillator
2. Automatic Gain Control
  - Voltage Reference (+5.7V and +6.4V)
  - Output Impedance Matching Buffer
3. Output Buffer Amplifier
  - Oven Controller

### SYMBOLS



### PRINTED CIRCUIT BOARD IDENTIFICATION



### REFERENCE DESIGNATIONS

REFERENCE DESIGNATIONS WITHIN ASSEMBLIES ARE ABBREVIATED. ADD ASSEMBLY NUMBER TO ABBREVIATION FOR COMPLETE DESCRIPTION. JACKS ARE THE STATIONARY CONNECTORS AND PLUGS ARE THE MORE MOVEABLE OF TWO CONNECTORS.

<u>ASSEMBLY</u>	<u>ABBREVIATION</u>	<u>COMPLETE DESCRIPTION</u>
A25	C1	A25C1
A25A1	CR1	A25A1CR1
NO PREFIX	J3	J3

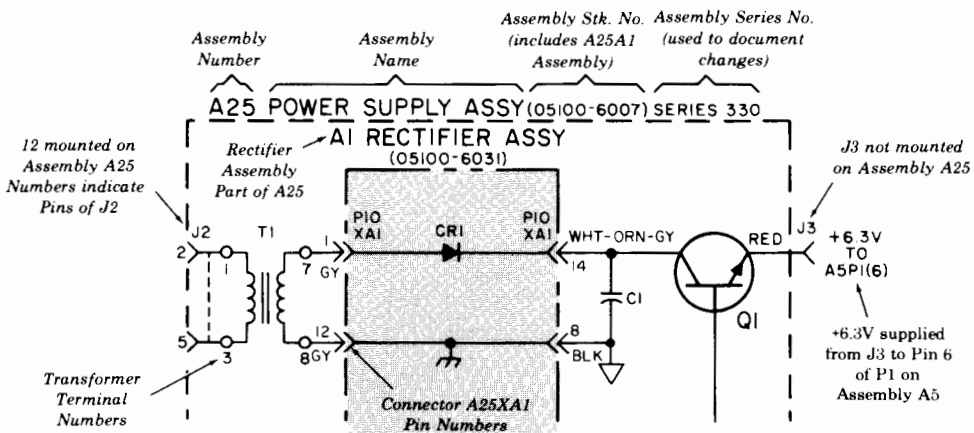


Figure 8-1. Schematic Diagram Notes

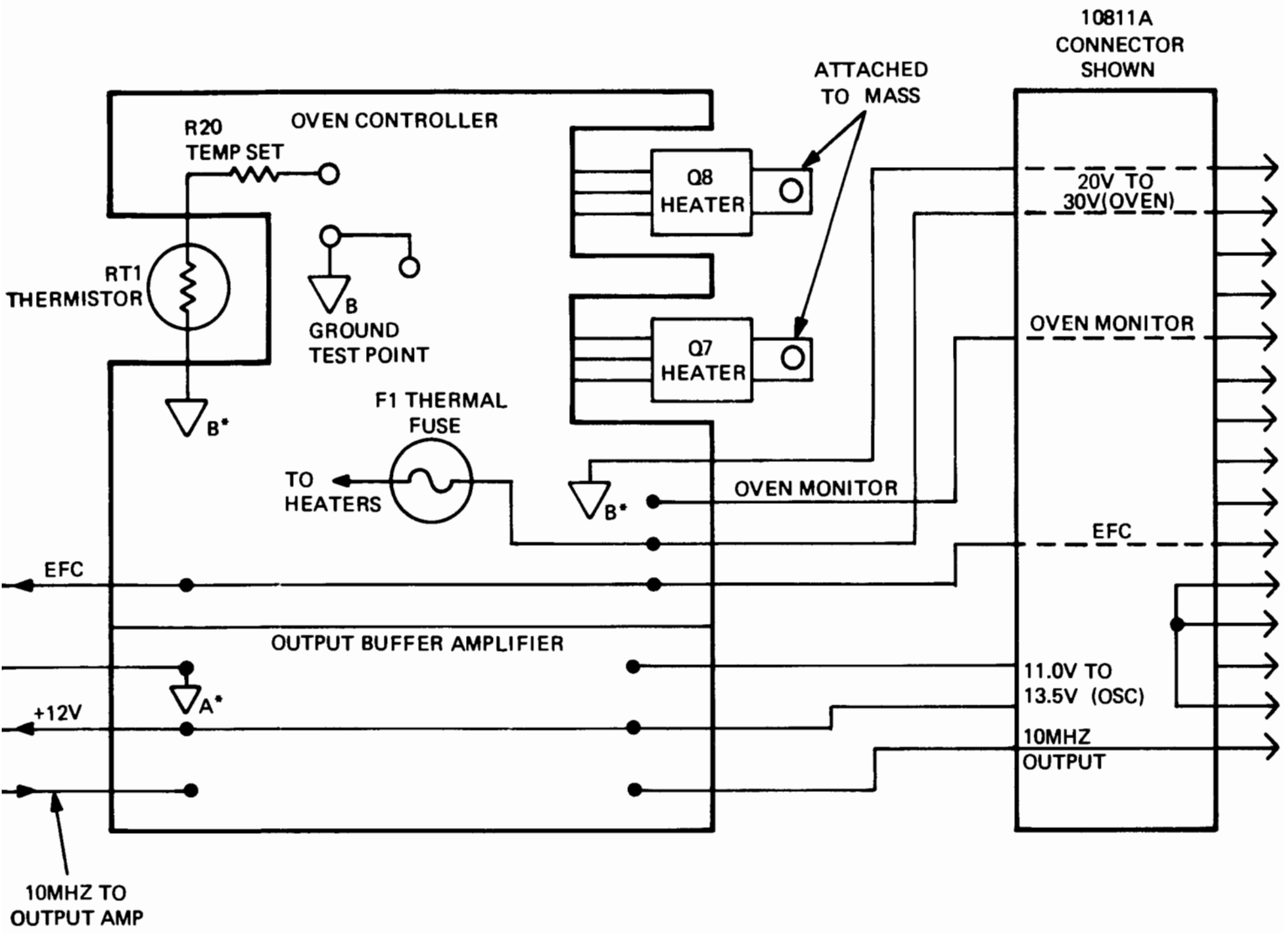
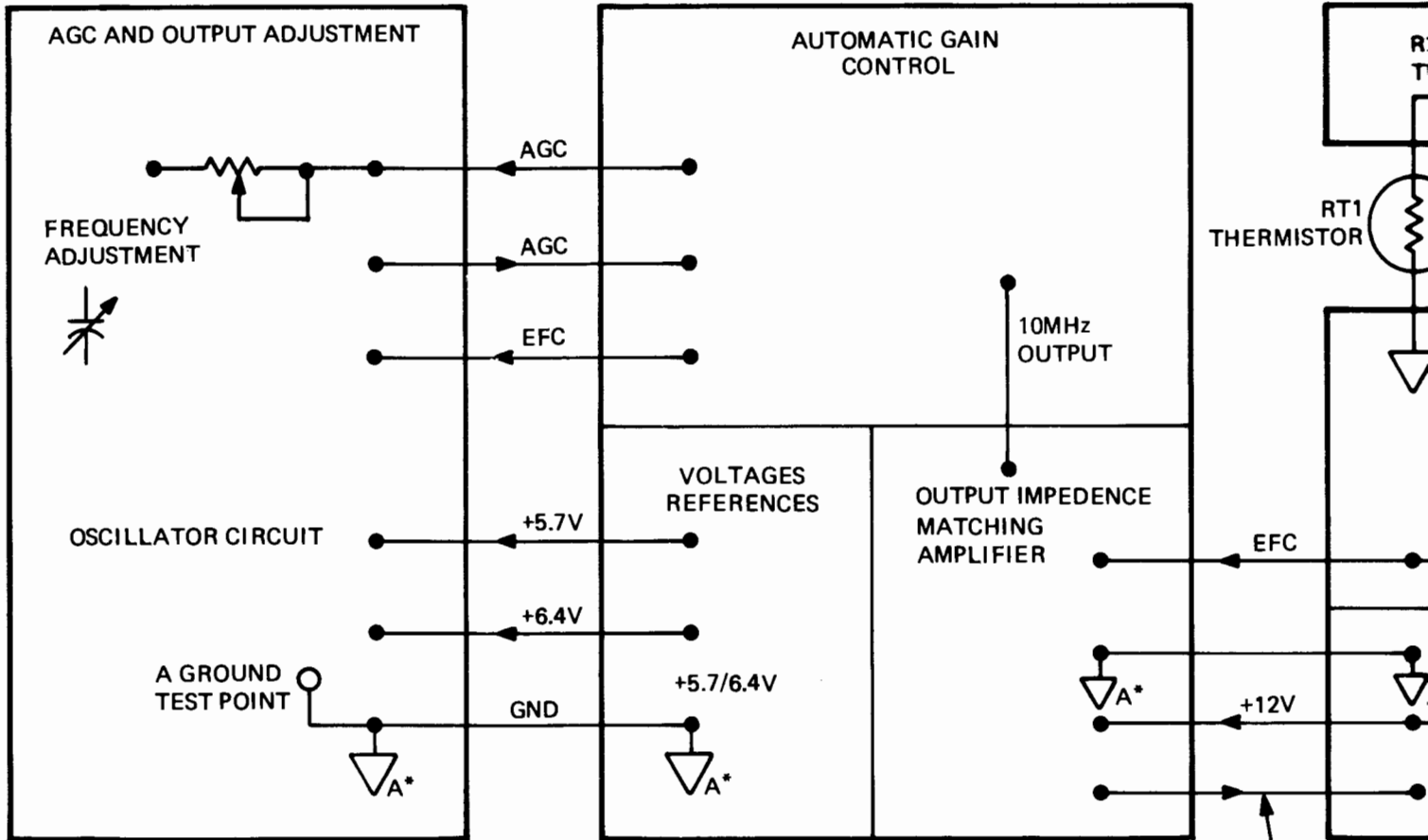


Figure 8-2. 10811A/B Overall Block Diagram



A GROUND POINT FOR TESTING OSCILLATOR, AGC, OUTPUT AMPLIFIER AND VOLTAGE REFERENCE

B GROUND POINT FOR TESTING OVEN CONTROLLER

B GROUND POINT FOR TESTING OVEN CONTROLLER

\* A AND B GROUNDS MAY BE TIED TOGETHER OR FLOATED AT DIFFERENT POTENTIALS EXTERNAL TO THE OSCILLATOR.

10MHZ TO OUTPUT AMP

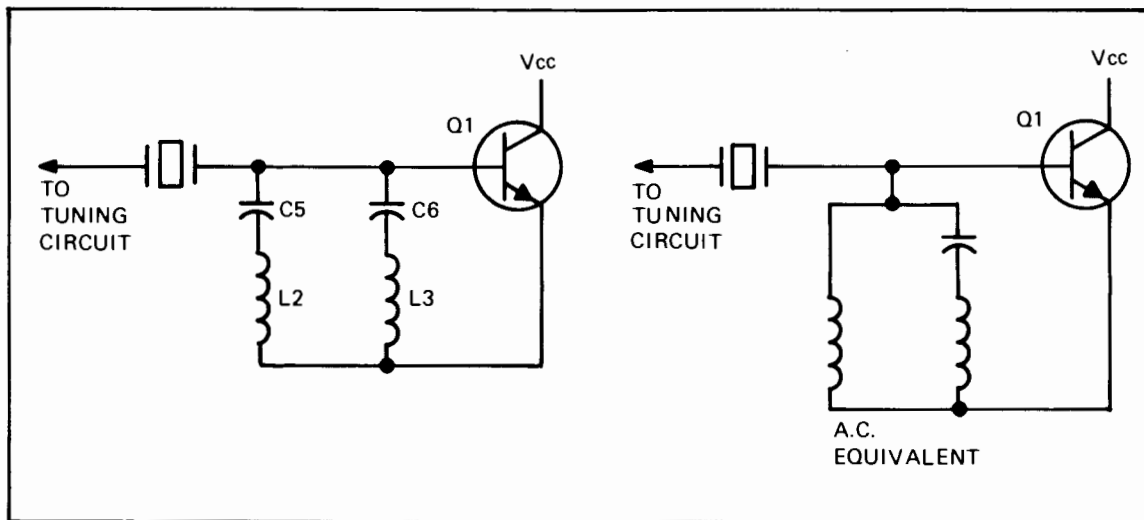


Figure 8-4. Mode Suppression

8-16. Figure 8-5 show the equivalent crystal circuits with the tuning capacitor C1.

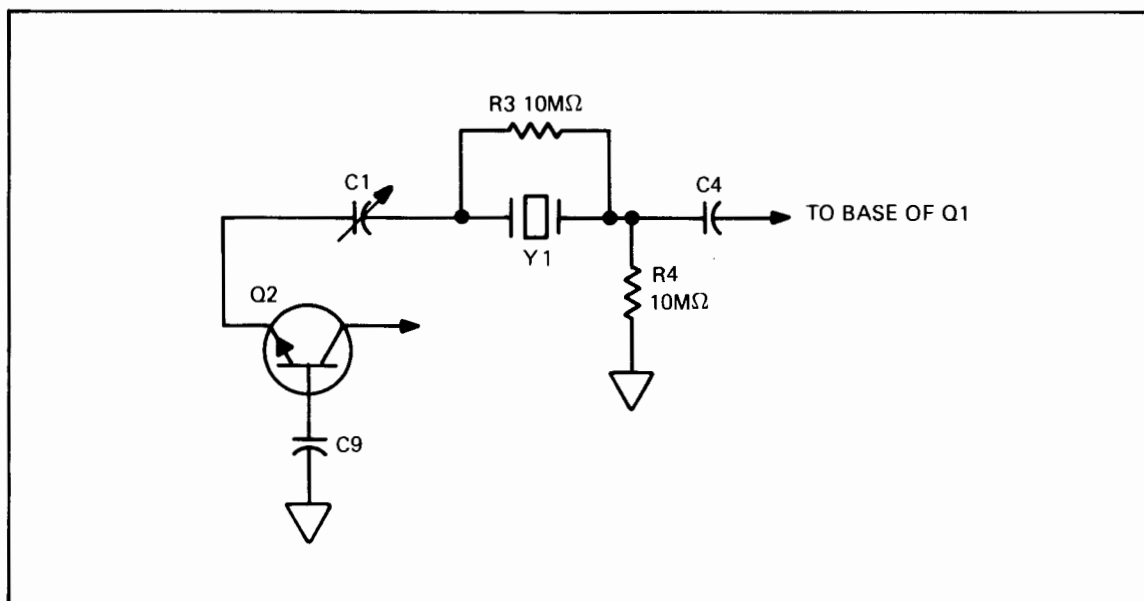


Figure 8-5. Frequency Tuning Circuit

8-17. C1 tuning capacitor is available from the top of the oscillator outer housing. The change in reactance of C1 allows the oscillator's frequency to be varied over a 20 Hz ( $2 \times 10^{-6}$ ) range. C9 and C4 are dc blocking capacitors.

### 8-18. ELECTRONIC FREQUENCY CONTROL (EFC)

8-19. To allow for a fine tuning control, a varactor (CR1) is added in parallel with C1 tuning capacitor. See Figure 8-6. The varactor's capacitance depends on the dc voltage applied to it (reverse bias). The EFC voltage range is +5 volts to -5 volts, giving a fine tuning range of  $\approx 1$  Hz ( $1 \times 10^{-7}$ ). Since one side of the varactor is tied to a reference (6.4V), a full +5 volts applied to the EFC input will still keep CR1 reverse biased. C2 and C3 are again dc blocking capacitors to keep the EFC current from flowing in to the crystal circuit. Note: if the EFC input is not used, it must be connected to ground to keep any noise from modulating the EFC line and causing frequency changes.



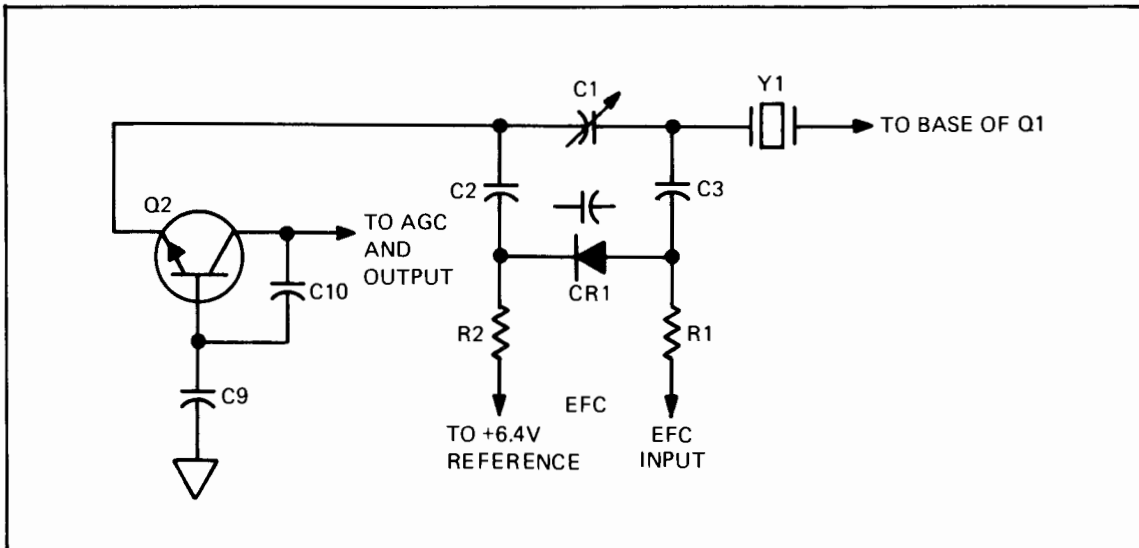


Figure 8-6. EFC

**8-20. AUTOMATIC GAIN CONTROL (AGC)**

8-21. The output for the AGC (and output amplifiers, discussed later) is taken across capacitor C10, and is applied to Q3. Since C10 is effectively in series with the crystal, the current passing through the crystal also passes through C10. The voltage across C10 is therefore proportional to the current through the crystal. As the output of the oscillator changes, the output of the peak detector circuit changes. This change in the AGC voltage changes the voltage applied to the base of Q1 and stops the impending output voltage change. A peak detector circuit formed by C12, C13, CR4 and CR5 is used to develop a dc voltage to control the crystal current. This negative control voltage forms the lower half of a voltage divider for the base of Q1 (R6 and R7). Controlling the bias current and the gain of Q1. Thus AGC action controls the output signal level. (See Figure 8-7).

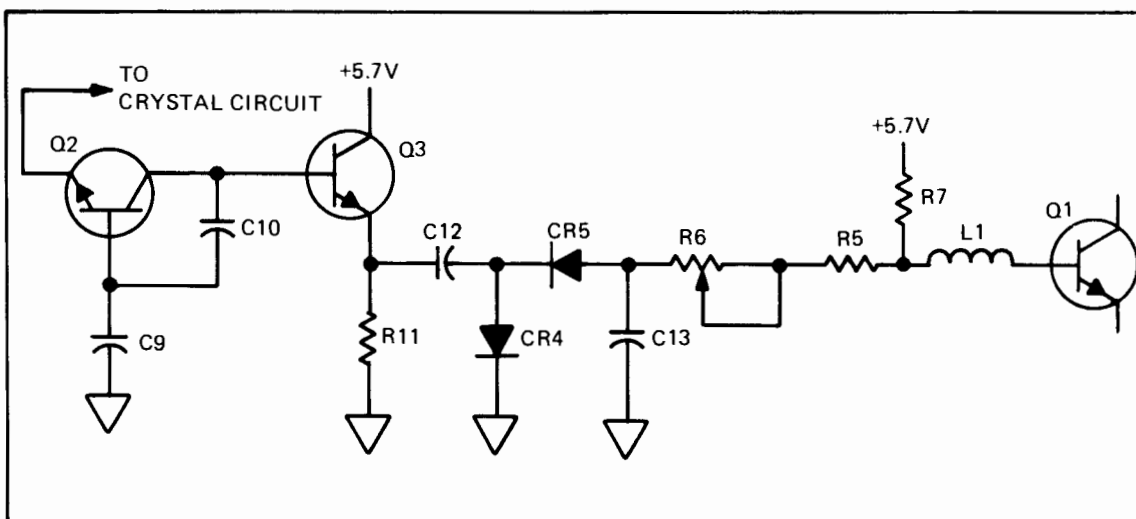


Figure 8-7. Automatic Gain Control (AGC)

8-22. By adjusting the AGC voltage with R6 the amplitude for the output (at the base of Q3) can be set. R5 sets the AGC limit when R6 is at its minimum resistance.

### 8-23. RF OUTPUT IMPEDANCE MATCHING AND OUTPUT BUFFER

8-24. The signal for the output amplifiers is taken from the same point as the AGC (across C10). The voltage is buffered by Q5 which is an impedance matching stage. Resistors R14 and R15 set the dc bias level while C14 allows the ac to bypass R14. The signal is then applied to the output buffer stage of Q9. Resistor R40 provides a 50Ω source impedance when transformed by T1. Typical gain from Q9 base to collector is approximately 2. See Figure 8-8.

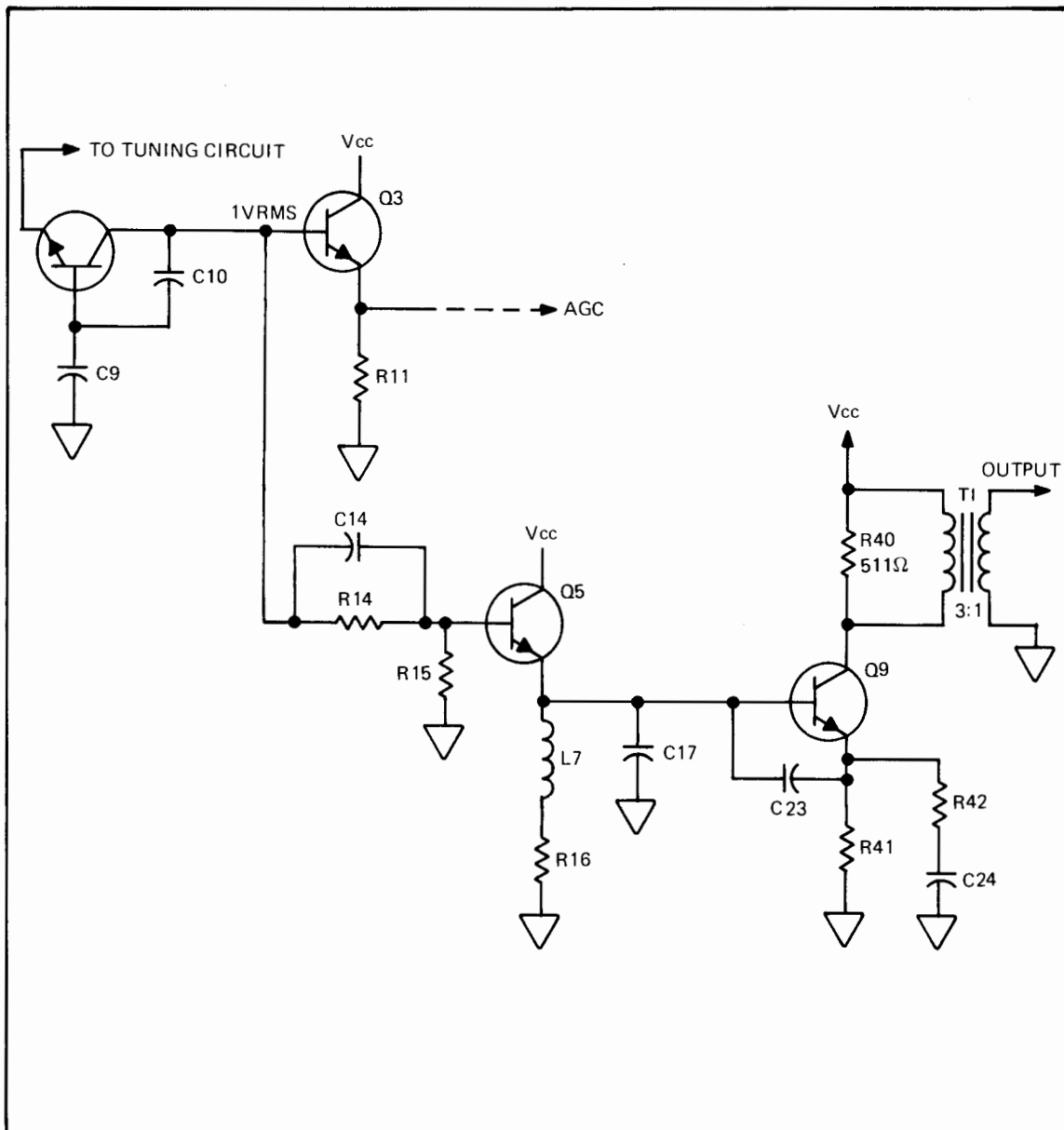


Figure 8-8. Output Amplifiers

### 8-25. VOLTAGE REFERENCES (5.7V AND 6.4V)

8-26. Constant current diode CR2 feeds 1 mA to zener diode CR3 providing 6.4V dc for the EFC varactor reference. R12 and C15 form a filter to attenuate noise from the zener diode. R13 provides current limiting for Q5 if the 5.7V line is shorted. See Figure 8-9.

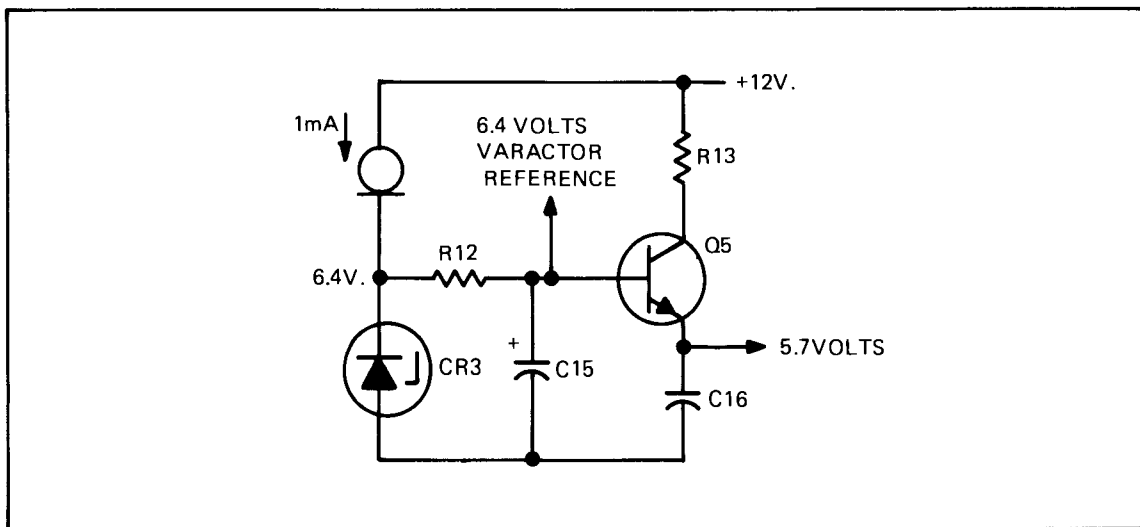


Figure 8-9. Voltage References

## 8-27. OVEN HEATER AND CONTROLLER THEORY

### NOTE

In the following theory of operation the term OVEN MASS will be used to describe the cast aluminum block in which the crystal and crystal electronics are located. The exploded view of the oscillator shows the oven mass.

8-28. The purpose of the oven is to shield the oscillator crystal and electronics from normal ambient temperature changes. The oven controller does this by maintaining a constant oven temperature which is higher than the highest expected ambient temperature.

8-29. Three main blocks make up the oven circuits. See *Figure 8-10*.

1. Thermistor
2. Amplifier (controller)
3. Heaters

8-30. In the 10811A/B oven, a thermistor (RT1) is secured with epoxy into a hole in the oven mass. U3 is the amplifier and Q7 (not shown) and Q8 are the heaters. It is the thermistor that senses the oven mass temperature. Since it is in one leg of the bridge circuit, when the mass temperature changes slightly, a voltage change occurs across the bridge (RT1, R18, R19, R20, R21). Amplifier U3 boosts this voltage change and then uses it to control the current through Q7 and Q8. The current flowing through transistors Q7 and Q8 causes a power dissipation in the form of heat, and it is this heat that warms the oven mass. Therefore, when the mass temperature starts to change, the heaters are told to adjust their power to cancel the impending temperature change.

8-31. WARM-UP: GENERAL OPERATION. If the oscillator has been off for several hours, the mass and thermistor will be at the ambient temperature. Assuming this is below the normal oven operating temperature (80 to 84°C) the resistance at the thermistor RT1 is higher than that of R18+R20 and therefore  $V_1 > V_2$ . This causes the output of U3 to be  $\approx (V_{CC} - 1.5V)$  and supply base current to Q8 through Q6. A separate circuit limits the collector current of Q8 and is described later. As the oven mass warms up, the thermistor's resistance gets lower causing both  $V_2$  and  $V_1$  to lower ( $V_2$  lowers because  $V_0$  lowers due to RT1 getting smaller).  $V_1$  decreases at a faster rate than  $V_2$  and eventually  $V_1 = V_2$  when  $RT1 = R20 + R18$ . At this time, the oven controller "cuts back" and begins to operate in a linear mode, adjusting the collector current in Q8 (and therefore the power dissipated in Q7 and Q8) to keep the oven precisely at its set temperature.

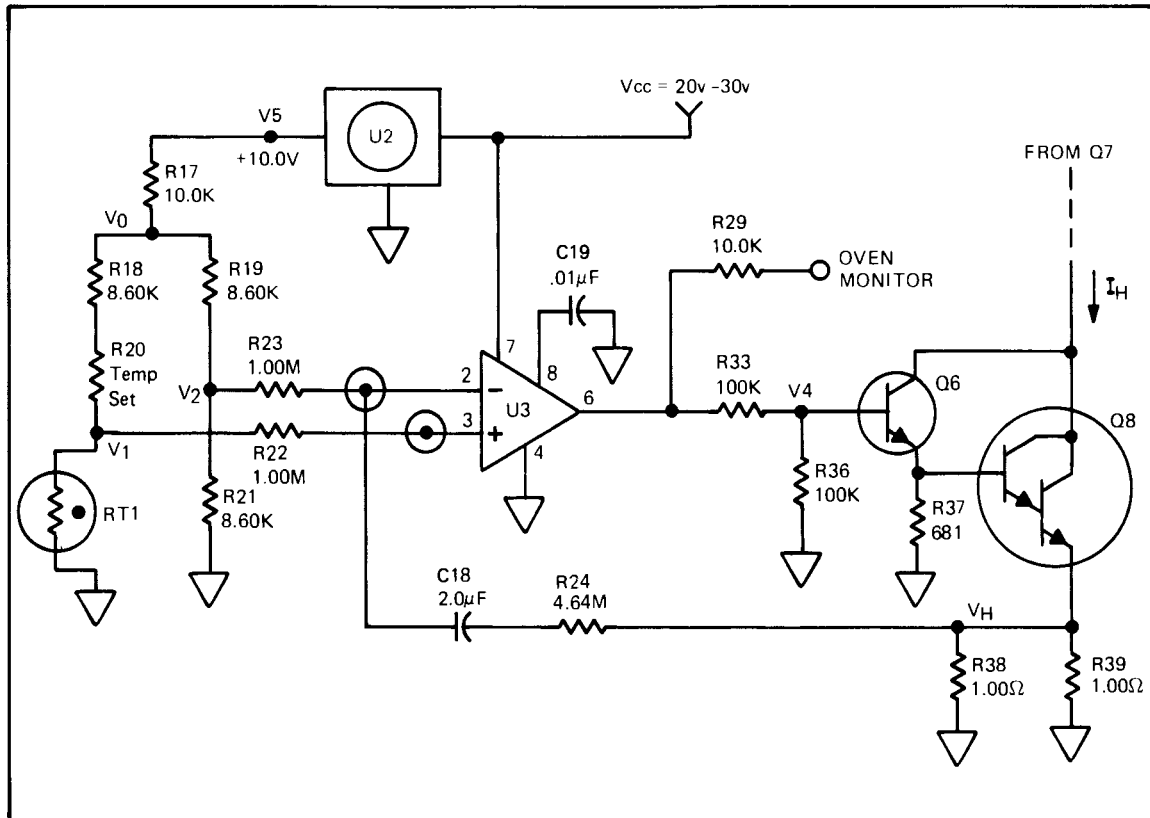


Figure 8-10. Oven Control Circuits

8-32. The purpose of R17 is mainly to reduce the power dissipated in the thermistor which causes it to self-heat above the oven operating temperature.

8-33. R38 and R39 in parallel provide a means of sensing the heater current,  $I_H$ . During warm-up, the voltage across them,  $V_H$ , is used in the current limit circuit (described later). During normal, linear operation,  $V_H$  is essentially the feedback point for the oven controller loop.

8-34. Q6 is necessary primarily for the condition when the oscillator has been stored at  $-55^\circ\text{C}$ . Since U3 (at  $-55^\circ\text{C}$ ) cannot supply enough base current for Q8, Q6 gives the added current gain required.

### 8-35. PRECISION VOLTAGE REFERENCE

8-36. U2 is a 10.0V voltage reference. It provides a stable voltage source for the bridge and U1. A change in the bridge reference voltage changes the voltage across the thermistor and hence, the power it dissipates. See Figure 8-10.

### 8-37. OVEN CONTROLLER TURN-ON CURRENT LIMITING

8-38. Figure 8-11 shows the turn-on current limiting circuit. From an initial turn-on condition the thermistor senses the oven temperature to be low. To correct this situation the amplifier attempts to drive heavy amounts of current through Q7 and Q8 heaters. If allowed to continue this way, excessive current will flow; much more than is practical or necessary for warm-up. Amplifier U1 and associated components limit the current during warm-up to a practical value. When  $V_{CC}$  is applied to the oven, U1B forces  $V_H$  to equal  $V_3$  by sinking the base current from Q6. By sensing  $V_{CC}$ , the circuit transforms the heater transistors into what appears to be a fixed heater resistance of  $47\Omega$  typical.

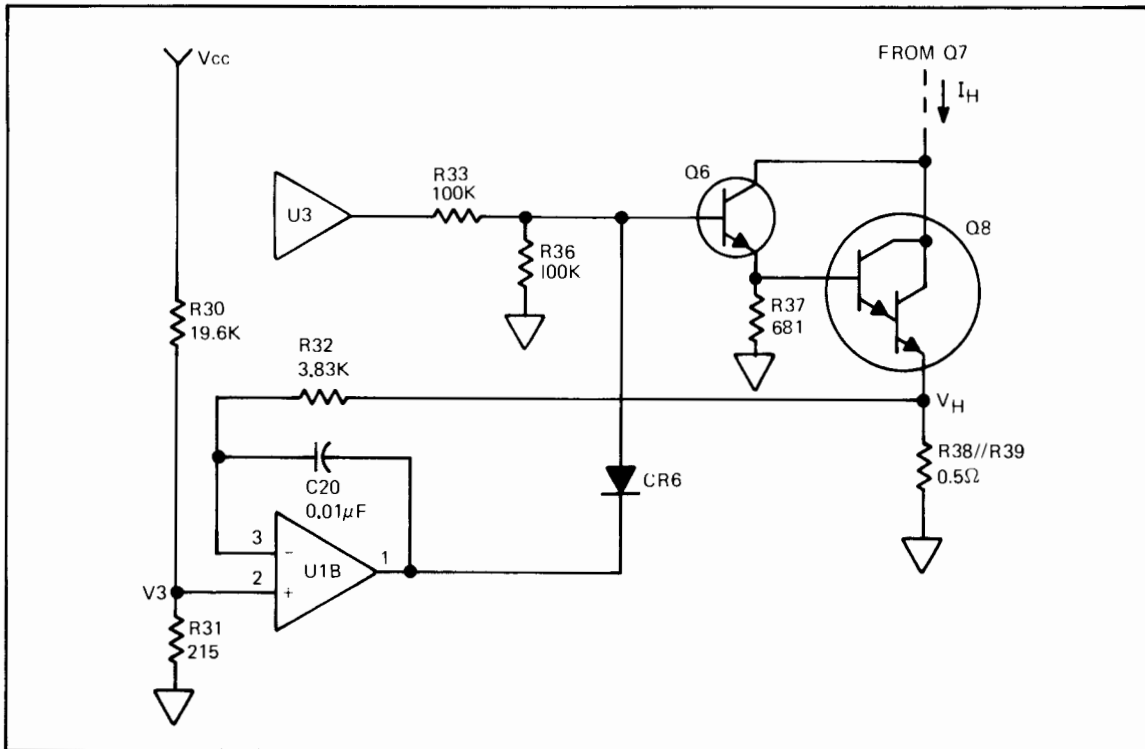


Figure 8-11. Turn-on Current Limit Circuit

### 8-39. HEATER TRANSISTOR BALANCE

8-40. Because heater transistors Q7 and Q8 are not equally spaced from the crystal, it is necessary to offset the power dissipation between the two transistors. Figure 8-12 shows a simplified schematic of this circuit. Amplifier U1A references a voltage divider across  $V_{cc}$  (R25, R26) and a divider referenced to the mid-point between the heater transistors. From this U1A controls the base current of Q7 to insure the voltage at the mid-point between the heater transistors is a constant percentage of  $V_{cc}$  ( $V_4 \approx 0.57 V_{cc} \pm 2\%$ ).

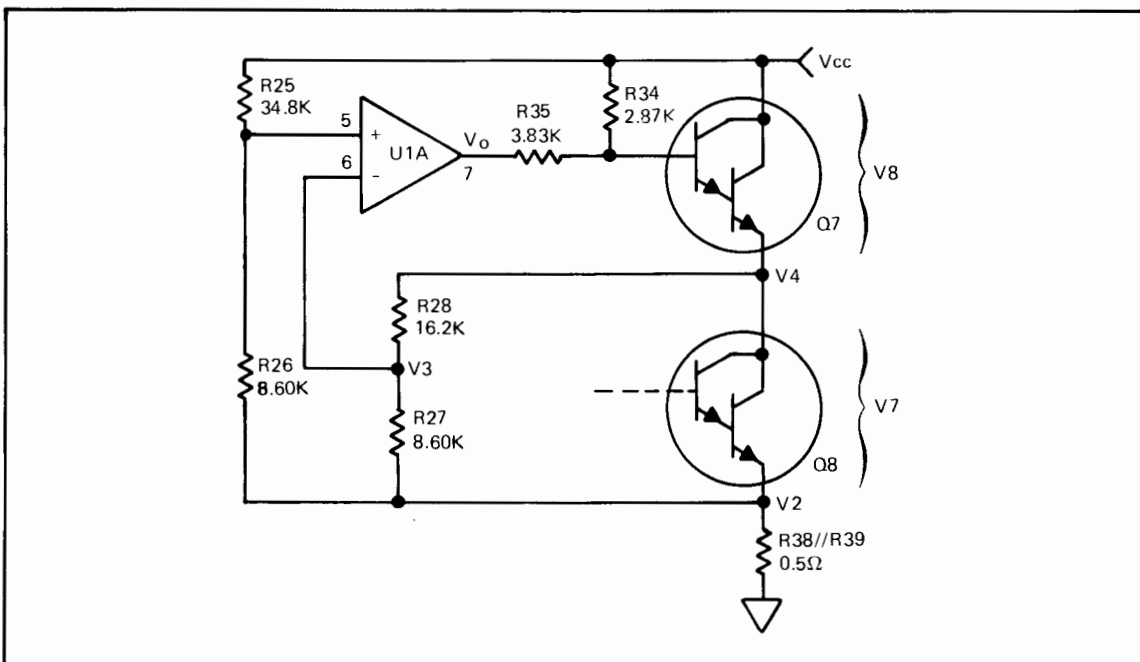


Figure 8-12. Heater Transistor Balance Circuit

## 8-41. REPAIR AND TROUBLESHOOTING

### 8-42. Inspection

8-43. The 10811A/B should be inspected for indications of mechanical and electrical defects. Electronic components that show signs of overheating, leakage, frayed insulation, and other signs of deterioration should be checked and a thorough investigation of the associated circuitry should be made to verify proper operation. Mechanical parts should be inspected for excessive wear, looseness, misalignment, corrosion, and other signs of deterioration.

### CAUTION

**Proper static handling techniques must be employed when servicing semiconductor products. The voltage susceptibility of all I.C. and transistor families are well below levels commonly found in service environments. Exercise care and observe standard static precautions.**

### 8-44. REPAIR

#### 8-45. Printed Circuit Component Replacement

8-46. To prevent damage to the plating and the replacement component, apply heat sparingly, and work carefully. See CAUTION below.

#### 8-47. Replacing Integrated Circuits

8-48. Following are two recommended methods of replacing integrated circuits:

- a. **SOLDER GOBBLER.** This is the best method. Solder is removed from board by a soldering iron with a hollow tip connected to a vacuum source.
- b. **CLIP-OUT.** Clip the leads as close to the component as possible. With a soldering iron and longnose pliers, carefully remove the leads from each hole. Then clean the holes.

### CAUTION

**The flex circuitry used in the 10811A/B oscillator requires special attention to soldering iron tip temperature and the length of time heat is applied. A low wattage ( $\approx 25W$ ) iron with a temperature control should be used. The tip temperature should be held below  $500^{\circ}C$ . Care should be taken to be sure that the iron is not held on the circuit longer than necessary. Components should be removed by clipping the leads and then gently removing them. Do not use force when removing components. Following these precautions will insure that repairs can be easily made without damaging the flex circuit. Also, components should not be arbitrarily removed for troubleshooting or replacement unless there is reasonable confidence in the component's failure.**

## WARNING

**THE OSCILLATOR'S INTERNAL OVEN MASS TEMPERATURE MAY BE AS HIGH AS 85°C (185°F). TO AVOID SERIOUS BURNS DO NOT REMOVE OSCILLATOR CIRCUITS AND/OR OVEN MASS ASSEMBLY FROM THE OUTER CAN UNTIL THE OSCILLATOR HAS SUFFICIENTLY COOLED (APPROXIMATELY ONE HOUR WITH BOTTOM COVER AND FOAM INSULATOR REMOVED). THE OUTER HOUSING TEMPERATURE IS NOT A RELIABLE INDICATION OF THE INTERNAL TEMPERATURE.**

8-49. The troubleshooting is arranged to allow the technician to quickly find the defective component(s) without unnecessary removal of components.

### 8-50. TROUBLESHOOTING

8-51. Failures in the 10811A/B can be divided into two sections:

1. Failure of the oscillator's circuits.
2. Failure in the oven controller circuits.

8-52. Failures in the oscillator circuits can be divided into the following problems:

1. No output.
2. Output amplitude is too low or high.
3. Output is distorted (contains excessive harmonics).
4. Output is off frequency (high or low).
5. Output has excessive noise or frequency stability does not meet specifications.

8-53. Poor frequency stability can be difficult to troubleshoot, and many times the oscillator is not at fault. Environmental conditions can affect stability and should be ruled out first.

8-54. Failures in the oven circuitry can be divided into the following problems:

1. No oven current (heat).
2. Excessive oven current (>600 mA).
3. Oven does not cut back after warm-up (this will open the thermal fuse if allowed to continue).
4. Oven does not regulate at the proper temperature. (This can be the cause for poor frequency stability).

8-55. Since the main oscillator and oven control power supply inputs are separate from each other, the defective circuit can be operated without applying power to the complete oscillator.

8-56. Determine which section is defective (oven or oscillator circuit), then proceed as described in the following troubleshooting section. The two circuits can be investigated separately.

1. Remove top cover and insulator described in:
  - a. 10811A paragraphs 8-59.
  - b. 10811B paragraphs 8-59, step 4.

**CAUTION**

**With the cover and foam insulator removed to thermal fuse cannot protect the oven circuit from thermal runaway. Caution should be used at all times.**

**8-57. DISASSEMBLY FOR TROUBLESHOOTING AND REPAIR**

8-58. Perform steps 1 through 3 for the 10811A oscillator and steps 4 and 5 for the 10811B oscillator. Once these steps are completed, follow steps 6 through 10 for both oscillators.

8-59. For the 10811A Oscillator:

- Step 1. Remove the three screws securing the bottom cover to the outer housing, and remove bottom cover.
- Step 2. Remove the two screws securing the pc edge connector to the outer housing.
- Step 3. Remove the foam sheet to expose the oven controller circuit board.

If troubleshooting the oven controller, stop here and go to paragraph 8-69. Go to Step 6 only if the trouble is in the oscillator circuit.

For the 10811B oscillator:

- Step 4. Remove the four screws securing the cover to the outer housing.
- Step 5. Disconnect the flexible circuit attached to the cover from the 7-pin connector mounted to the oven controller circuit board.

If troubleshooting the oven controller, stop here and go to paragraph 8-69. Continue only if the trouble is in the oscillator circuit.

The following steps will be performed for both oscillators.

- Step 6. Using a long, small diameter tool, remove the complete oscillator assembly by inserting the tool into the tuning capacitor access hole (labeled **FREQ. ADJUST**) and pushing on the capacitor until the circuit can be grasped and removed freely.

**CAUTION**

**(10811A only)**

**Do not remove the circuits by pulling on the edge connector or flexible circuit. Damage to the flexible circuit may occur.**

- Step 7. Using a posidrive screwdriver, remove the two screws securing the heater transistors to the oven mass. Remove the washers and transistor insulators.

**NOTE**

When reassembling the oven mass the heater transistor screws must be tightened to a torque of 44 newton metres (5 in.-lbs.)

- Step 8. Tilt the oven controller assembly back and remove the foam insulator between the oven controller assembly and the oven mass. Be careful not to break the two black thermistor wires attached to the oven controller assembly.
- Step 9. Remove the eight screws (four each side) securing the covers to the oven mass assembly.
- Step 10. Use two of the screws from each cover (removed in Step 9) to secure the boards to the mass for troubleshooting.



8-60. Go to paragraph 8-84, Oscillator Troubleshooting. When reassembling unit, reverse the above procedure.

### 8-61. SPECIAL TEST CONNECTOR FOR 10811A

8-62. The following paragraphs describe a special 15-pin connector for use in troubleshooting, alignment and testing of the 10811A. The connector provides the following (See *Figure 8-13*):

- a. Two separate input leads for the oscillator circuits power and the oven heaters and controller circuits.
- b. 10 MHz output through a female BNC.
- c. Oven monitor output for connection to a voltmeter.
- d. EFC input connection to ground.

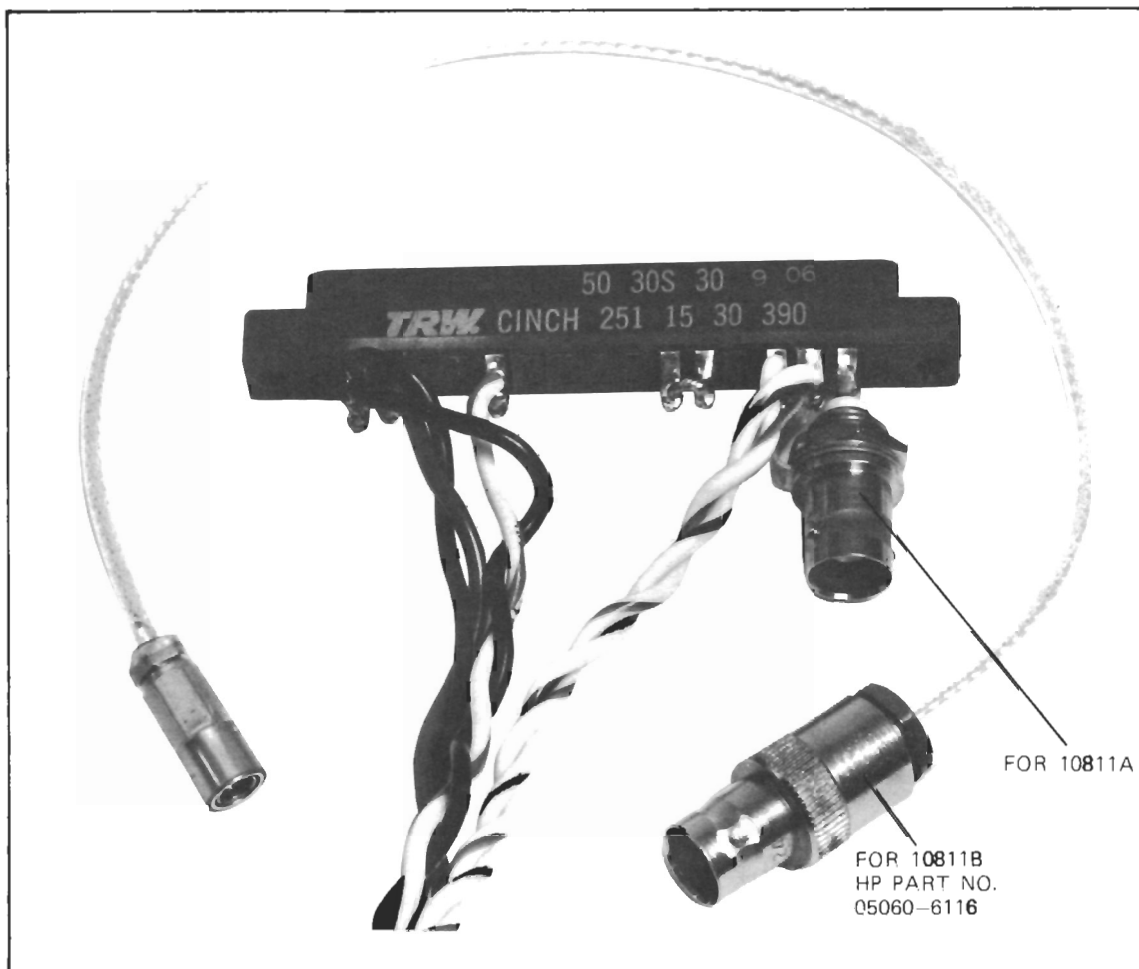


Figure 8-13. 10811A/B Special Test Connector

8-63. The following parts are required to construct the special test connector:

- a. 15-pin pc board connector (HP part number 1251-0494).
- b. 6 banana plugs (HP part number 1251-0124).
- c. BNC female connector with ground lug and nut.

BNC connector	1250-0083
Ground lug	0360-0024
Lock washer	2190-0016
Nut	2950-0001

- d. Approximately 6-feet of 24-gauge wire.
- e. Labels for banana plugs.

**8-64. To construct the connector:**

- a. Solder the center pin of the BNC connector to pin 1(A) of the printed circuit connector; this is the 10MHz output signal.
- b. Bend the BNC ground lug to align with pin 2(B) of the printed circuit connector.
- c. Solder one end of a 2-foot length of wire to pin 2(B) of the printed circuit connector. Also solder the BNC ground lug to pin 2(B). This is the oscillator circuit common.
- d. Solder one end of a 2-foot length of wire to pin 3(C) of the printed circuit connector. This is the oscillator (+) supply.
- e. Connect a jumper wire between pins 5(E) and 6(F). This terminates the EFC input.
- f. Solder one end of a 2-foot length of wire to pin 11(M). This is oven monitor output.
- g. Solder one end of a 2-foot length of wire to pin 14(R) of the printed circuit connector. This is the oven (+) supply.
- h. Solder one end of two 2-foot lengths of wire to pin 15(S) of the printed circuit connector. This is the oven common.
- i. Twist together one of the two wires connected to pin 15(S) and the wire connected to pin 14(R). These are the oven controller power supply inputs.
- j. Twist together the remaining wire connected to 15(S) and the wire connected to pin 11(M). This is the oven monitor output.
- k. Twist together the two wires connected to pins 2(B) and 3(C). These are the oscillator supply input.
- l. Connect one banana plug to the free end of each wire.
- m. Label each banana plug as follows:

<b>Wire connected to:</b>	<b>Label as:</b>
pin 2(B)	oscillator supply (-)
pin 3(C)	oscillator supply (+)
pin 11(M)	oven monitor (+)
pin 14(R)	oven supply (+)
pin 15(S) two wire	oven supply (-)
	oven monitor (-)

- n. Inspect the connector for poor solder joints, bent or damaged pins. Double check the labelling of the banana plugs to be sure the polarity markings are correct. If the voltages are connected the wrong way, damage to the 10811A may occur.

**8-65. SPECIAL CABLE FOR THE 10811B.**

8-66. A micon to BNC adaptor cable is available for the 10MHz output signal. Order HP Part Number 05060-6116 (see *Figure 8-13*).

**8-67. SPECIAL PARTS REPLACEMENT CONSIDERATIONS**

8-68. Several mechanical parts and components must be replaced as a pair or require special consideration. They are:

- a. Oven mass assembly and thermistor: If the thermistor (RT1) is found to be defective, the thermistor and oven mass assembly must be replaced as one item, HP Part Number 10811-60106. Do not attempt to replace the thermistor alone.

- b. Crystal and Temperature Set Resistor: The replacement crystal for Y1 will be accompanied by the **required temperature set resistor (R20)** for the oven. This resistor must be installed with the new crystal. The crystal and R20 can be ordered using HP Part Number 10811-60108. If the temperature set resistor is found to be defective only, it must be replaced with the same value and tolerance. If the temperature set resistor (R20) is unreadable, the value required can be determined by finding the oven temperature value marked on the crystal (Y1). The required resistor can then be determined from *Table 8-1*. When Y1 is replaced, the nut which secures it to the oven mass should be tightened to a torque of 44 newton-metres (5 in.-lbs.). This will insure maximum heat transfer without overstressing the crystal package.
- c. 10811B Bottom cover: If any part of the 10811B bottom cover is found to be defective, the complete bottom cover must be replaced (HP Part Number 10811-60107). Once the insulating foam is attached to the bottom cover, feedthroughs and terminals cannot

*Table 8-1. Temperature Set Resistor List.*

OVEN TEMP °C	RESISTOR VALUE	PART NUMBER
80.0	1.33K	0698-7239
80.1	1.29K	0698-6981
80.2	1.25K	0698-6973
80.3	1.21K	0698-7238
80.4	1.18K	0698-3512
80.5	1.15K	0698-4469
80.6	1.10K	0698-7237
80.7	1.07K	0698-4196
80.8	1.04K	0698-6970
80.9	1.00K	0698-7236
81.0	968	0698-0096
81.1	931	0698-4465
81.2	909	0698-7235
81.3	866	0698-3495
81.4	825	0698-7234
81.5	787	0698-4014
81.6	750	0698-7233
81.7	715	0698-3700
81.8	681	0698-7232
81.9	649	0698-4460
82.0	619	0698-7231
82.1	600	0757-1100
82.2	562	0698-7230
82.3	511	0698-7229
82.4	500	0698-5852
82.5	464	0698-7228
82.6	422	0698-7227
82.7	383	0698-7226
82.8	348	0698-7225
82.9	316	0698-7224
83.0	287	0698-7223
83.1	261	0698-7222
83.2	215	0698-7220
83.3	196	0698-7219
83.4	162	0698-7217
83.5	121	0698-7214
83.6	100	0698-7212
83.7	61.9	0698-7207
83.8	34.8	0698-7201
83.9	0	jumper
84.0	0	jumper

be replaced without impairing the heat insulating abilities of the bottom cover. Do not attempt to repair the cover or replace the flex circuit.

- d. Oven heater transistors Q7 and Q8: The replacement transistor for Q7 and Q8 have formed leads for easy installation (Part Number 10811-80001). Holding screws for Q7 and Q8 must also be torqued to a specific force of 44 newton-metres (5 in.-lbs.). There are several available posidrive torquing screwdrivers.

## 8-69. OVEN CONTROLLER TROUBLESHOOTING

### 8-70. General

8-71. The oven controller section consists of three major circuits and a 10V voltage reference for increased stability of sensitive circuits. *Figure 8-14* shows the major circuits and active components involved in their operation.

8-72. The temperature sense circuit monitors the temperature of the oven mass and reduces the power drawn by the oven heater transistors when the oven mass has reached operating temperature. After power cut-back, this circuit monitors the oven mass temperature and controls the power in the heaters to maintain the constant temperature. The thermistor (RT1) has a negative temperature coefficient. At room temperature the thermistor resistance is approximately 100K ohms, while at operating temperature (~82°C) the resistance is approximately 9K ohms. Shorting the thermistor to oven common makes the oven mass appear too hot to the temperature sense circuit. This in turn causes the temperature sense circuit to shut off power to the oven heaters. This technique is used in the troubleshooting procedure.

8-73. The warm-up current limit circuit controls the maximum current the oven may draw during warm-up (380 to 490 mA with 20V dc oven input). This circuit is only active during the warm-up phase of the oven circuit operation.

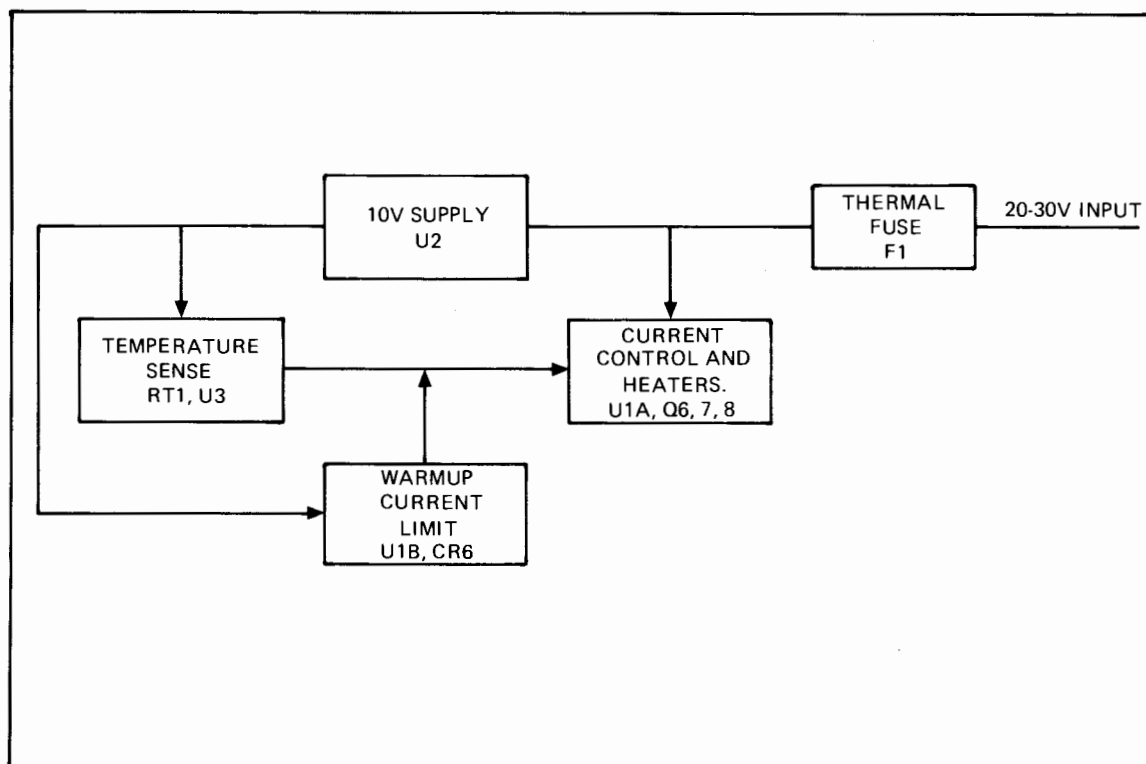


Figure 8-14. Oven Controller Block Diagram

#### 8-74. Normal Operation

8-75. When the oven is tested under normal conditions (~25°C ambient temperature) it will initially draw 380 to 490 mA. After 5 to 10 minutes the oven current will start to drop. Over the next 10 to 15 minutes the oven current will fall to the 60 to 150 mA range where it will stabilize. The oven circuit should not oscillate.

#### WARNING

**DO NOT OPERATE THE OVEN CIRCUITS WHEN THE OVEN MASS IS OUTSIDE OF THE OSCILLATOR INSULATED HOUSING. DOING SO WILL OVERHEAT THE OSCILLATOR CIRCUITS INSIDE THE OVEN MASS AND CAUSE PERMANENT DAMAGE. ALL OVEN TEST POINTS ARE AVAILABLE WITH THE OVEN MASS AND OVEN CONTROLLER CIRCUIT INSIDE THE HOUSING.**

**WHEN OSCILLATOR COVER AND INSULATOR ARE REMOVED THERMAL FUSE WILL NOT PROTECT CIRCUIT FROM OVERHEATING. APPLY OVEN POWER ONLY WHEN ACTUALLY MAKING MEASUREMENTS FOR TROUBLESHOOTING OR AS DIRECTED IN TROUBLESHOOTING TREE, TABLE 8-2.**

#### 8-76. TROUBLESHOOTING

8-77. *Table 8-2* is a troubleshooting tree for the oven circuits. The troubleshooting procedure separates the different functional circuits by monitoring the oven supply current during different operating conditions. For example, if the warm-up current is excessive, this indicates a trouble in the warm-up current limit circuit, or the current control and heater circuit. If shorting the thermistor reduces the current being drawn from the power supply, this indicates the current control circuit is operating and the problem is most likely in the warm-up current limit circuit.

8-78. As with most troubleshooting trees this is intended to be a guide to the trouble area. It is not a substitute for technical skill in isolating the faulty components.

8-79. *Table 8-3* (next to schematic diagram) gives normal circuit voltages during warm-up, operation, and when thermistor RT1 is shorted to ground. Use this table during troubleshooting.

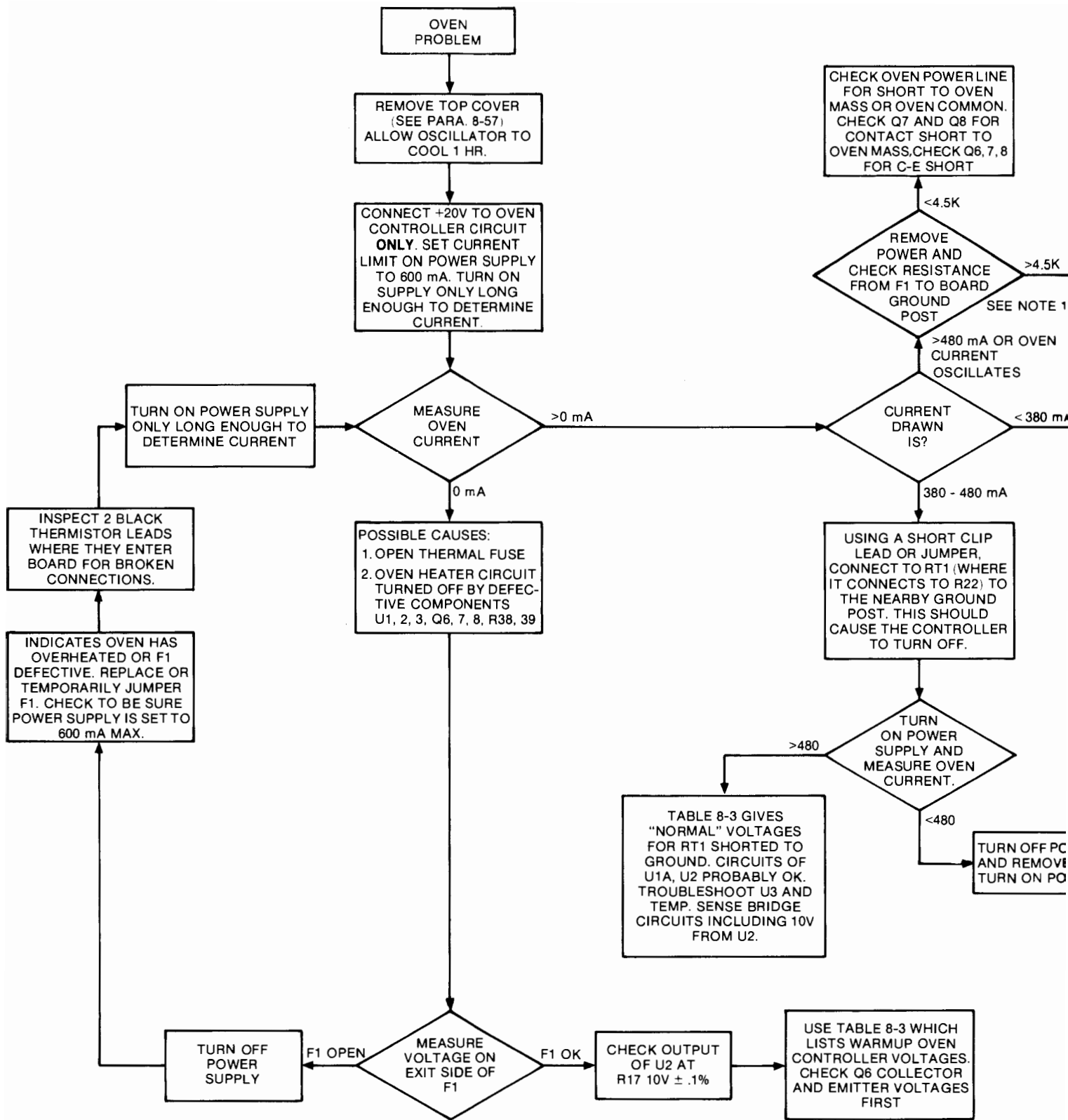
#### 8-80. Troubleshooting Cautions

8-81. When oven current is excessive, turn on the power supply only long enough to make the necessary measurements. Do not leave power on if the oven is drawing excessive current. With the housing cover and foam insulator removed, the thermal fuse (F1) cannot protect the circuits in the oven mass from overheating and damage.

#### 8-82. Flex Damage

8-83. If a tear in the flex circuit occurs, the tear can continue until a trace is broken. To stop a tear, use a pair of scissors and cut around the tear. **DO NOT CUT A SHARP CORNER** as this will cause a stress concentration allowing the tear to start again. A hole punch may also be used. Punch a hole in the flex so as to remove the forward end of the tear.





## 8-84. OSCILLATOR TROUBLESHOOTING

8-85. The oscillator circuits are relatively simple and straightforward. The following paragraphs will briefly describe the major circuit areas, a troubleshooting outline, and some helpful suggestions to make the troubleshooting process easier. The oscillator consists of four sections. They are:

1. Oscillator Q1, Q2, and associated circuitry.
2. AGC Q3, CR4, CR5, and R6.
3. Output circuit Q5, Q9.
4. 5.7V power supply CR2, CR3, and Q4.

The oscillator is the signal source. Its output level is controlled by the AGC. The 5.7V power supply provides an extra-stable clean voltage source for the oscillator circuits. The output circuits provide a high level signal capable of driving a 50 to 1K ohm load.

## 8-86. NORMAL OPERATION

8-87. The output of the oscillator circuit at Q2(C) is a 10 MHz undistorted sine wave with an amplitude of approximately 2.8V p-p. The AGC voltage (measured at CR5-C13 junction) is approximately -1.5V. The 10 MHz signal passes through Q5 to Q9(B) at about the same level. The voltage gain of amplifier Q5 (base to collector) is approximately 2 with a 50-ohm load on the output. The output of transformer T1 is approximately 1.5V p-p. All 10 MHz signals found in the 10811A/B will be undistorted sine waves unless otherwise noted in *Table 8-4* (next to the schematic diagram).

## 8-88. OSCILLATOR TROUBLESHOOTING TECHNIQUES

8-89. When troubleshooting the oscillator section, remove the oven mass from the housing and the covers from the oven mass as described in paragraph 8-59. Connect 12V to the oscillator section; use special connector described in paragraph 8-61 for 10811A, connect power to T1(1) and oscillator circuit common in 10811B. Set the power supply current limit to 60 mA. **Do not apply power to the oven circuits!**

8-90. Initial troubleshooting and probing should be done on the backside of the boards (trace side) while they are secured to the oven mass (see paragraph 8-58, step 10). This way the circuits are more easily handled. When the fault is isolated to a few components, the unit may then be disassembled for final troubleshooting and repair.

### 8-91. Helpful Hints

1. Most points in the oscillator circuits cannot be measured with a dc voltmeter. The reactance of the voltmeter probe and leads will load the circuit and give false readings. Instead, use an oscilloscope with a high input impedance probe for these measurements. *Table 8-4* (oscillator section normal voltages) indicates when a dc voltmeter can be used.
2. Before reinstalling the oven mass into the housing, adjust the output amplitude (with R6) to 0.53V into a 50-ohm load. Although this value is slightly below normal, the output will increase slightly when the unit is reassembled and is at normal operating temperatures.
3. If a tear in the flex circuit occurs, go to paragraph 8-82 for repair instructions.



## 8-92. TROUBLESHOOTING INFORMATION

8-93. Symptoms of failures in the oscillator sections will generally fall into one of the following categories:

1. No output.
2. Output amplitude is low or high.
3. Output is distorted (contain excessive harmonics).
4. Excessive drift of output frequency.
5. Time domain frequency stability (short-term stability) does not meet specifications.

8-94. Troubleshooting of these faults will be discussed in the following paragraphs.

8-95. **NO OUTPUT.** This is usually easy to repair by simple signal tracing. Localized fault finding (to actual defective component) can be somewhat more difficult if the problem is in the main oscillator circuit (Q1, Q2, and AGC). If the fault appears to be in the oscillator section and does not yield to normal troubleshooting techniques, measure the AGC voltage at the junction of CR5-C13 (see Note 7 on *Table 8-4*, Oscillator Normal Voltages). If this voltage appears normal, the problem may be a defective quartz crystal (Y1). To verify this possibility, obtain a 10  $\mu$ H (HP Part No. 9100-2265) and a 12  $\mu$ H inductor (9100-2242). Use the HP numbered parts as these have been tested in the circuit. On the oscillator board, remove the red and blue wires connecting the crystal to the board. Place the 12  $\mu$ H inductor in place of these wires. With 12V applied to the circuit, adjust the **FREQ ADJUST (C1)**, and amplitude control (R6) for a good sine wave signal.

### NOTE

At some settings of C1 and/or R6, intermittent oscillations may appear. Some minor adjustment of C1 and/or R6 should clear this. If this fails, replace the 12  $\mu$ H inductor with the 10  $\mu$ H inductor and repeat the C1/R6 adjustment.

If replacing the crystal with an inductor produces oscillation, this is a very good indication of a defective crystal. When replacing crystal Y1, read paragraph 8-68(b), *Special Parts Considerations*. If the circuit will still not oscillate, the problem is most likely one of the oscillator circuit elements.

8-96. **OUTPUT AMPLITUDE HIGH OR LOW.** Many times this can be cured by the adjustment of R6 as described in paragraph 5-14. If the correct amplitude cannot be obtained with this adjustment, monitor the signal at Q6(C) with an oscilloscope and set R6 to obtain an amplitude of 2.8V p-p. Then check Q5 and Q9 stages. If the R6 adjustment isn't effective, you should suspect the AGC circuitry (Q3, CR4, CR5, C5, C6, R5, R6, R7, or Q1).

8-97. **OUTPUT DISTORTION.** Check the distortion with a spectrum analyzer (see *Table 4-2* step 2. for procedure). If the distortion products are harmonically related to 10 MHz, trace the signal to the distorting stage. If the distortion is not harmonically related to the 10 MHz output:

1. Check the mode suppression components of L2/C5 and/or L3/C6. These components suppress oscillations at all frequencies other than 10 MHz.
2. Check for spurious oscillations from the amplifier stages and oscillator transistors.

8-98. **EXCESSIVE DRIFT OF OUTPUT FREQUENCY.** When a quartz crystal oscillator has not been operated for a long period of time, or if it has been subjected to severe thermal or mechanical shock, the oscillator may take some time to stabilize. In most cases, the crystal will

drift and then stabilize at or below the specified rate within a few days after being turned on. In isolated cases, depending on the amount of time the oscillator has been off and the environmental conditions it has experienced, the 10811A/B may take up to 1 week to reach the specified aging rate. This should be taken into consideration if the drift rate of the unit is out of specifications. If the unit has had sufficient time to stabilize but is still out of specification, the most likely cause of excessive drift is a defective crystal (Y1). If Y1 is to be replaced, read paragraph 8-68(b). Other possible causes are unstable C3 and/or C8.

8-99. TIME DOMAIN STABILITY (SHORT-TERM STABILITY) OUT OF SPECIFICATION. Measurement of time domain stability is somewhat difficult and exacting. If the 10811A/B fails this test, be sure no signal sources other than the test reference are operating near the measurement system, as these can cause interference with the measurement. Other sources of error are vibration, nearby electrical equipment, poor shielding, or motors that can radiate signals into the 10811A/B. The failure to connect the EFC input (to ground) can cause poor frequency stability as can a noisy voltage being used for the EFC control. If another oscillator is available (known to be good), verify the accuracy of the measurement system. This could save considerable troubleshooting time.

8-100. Two other possibilities external to the oscillator are the oven and oscillator power supplies. These must be stable in order for the circuits to function properly. See *Table 1-1, Specifications*, and paragraph 2-6 for power supply noise requirements.

8-101. When troubleshooting this condition, carefully monitor the output waveform. Check for distortion or intermittent distortion, small amplitude variations (there should be none), or spurious oscillations on the output signal. Use a spectrum analyzer for this test (see *Table 4-3, step 3*). These symptoms can be more readily traced than small frequency fluctuations.

8-102. Almost any of the circuits can cause poor short-term stability. However, the most probable cause is crystal Y1. Other possible causes are the oven controller circuit (keeps changing temperature) or defective frequency determining components (CR1, C1, C3, C8, or instability in the 5.7V supply). Q1 and Q2 are also good suspects. Instability can also be caused by the AGC circuit, but this is usually visible as output amplitude variations or instability on the output waveform.

8-103. To check oven stability, allow the 10811A/B to operate normally away from drafts or sudden temperature changes. Allow the unit to warm up for at least 1-hour then connect a sensitive recorder or digital voltmeter to the OVEN MONITOR OUTPUT. Once the oven has stabilized, the monitor voltage should not vary more than 100-200  $\mu$ V when measured over 3- to 4-minute periods. Causes of oven instability are temperature sensing elements RT1, U2, U3, and associated components.

Table 8-3. Oven Circuit Voltages\*


VOLTAGE POINT	OVEN AT OPERATING TEMP.	OVEN COLD (JUST AFTER TURN-ON)	RT1 GROUNDED
Q6B	1.6	2.	.25
Q6C	11.4	11.4	11.4
Q6E	1.	1.3	0
Q7B	12.5	12.7	11.9
Q7C	20.	20.	20.
Q7E	11.4	11.4	11.4
Q8B	1.	1.3	0
Q8C	11.4	11.4	11.4
Q8E	.07	.23	0
U1 Pin 1	8.9	1.8	8.9
U1 Pin 2	.07	.23	0
U1 Pin 3	.2	.23	.2
U1 Pin 5	4.	4.1	3.8
U1 Pin 6	4.	4.1	3.8
U1 Pin 7	3.3	4.8	1.5
U2 Pin 2	10.	10.	10.
U3 Pin 6	3.5	19.0	.5

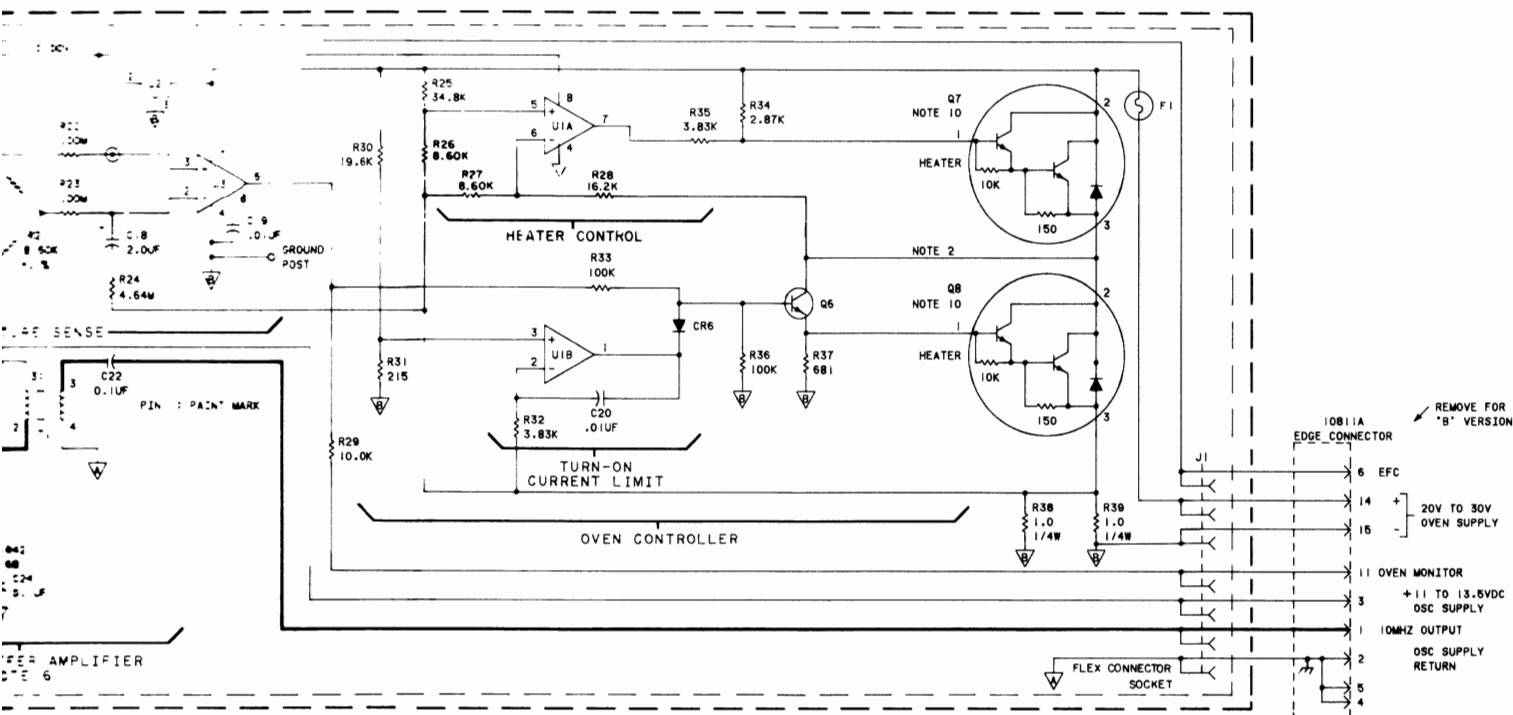
\*Voltage readings taken with oven supply voltage of 20V dc and insulating foam and cover removed. Voltages are approximate and will vary slightly from unit-to-unit.

Table 8-4. Oscillator Section Normal Voltages (see Notes 1, 2, 3)

VOLTAGE POINT	NORMAL VOLTAGES		REMARKS
	AC (p-p)	DC	
C3/R3	1 to 4	—	Note 8
CR5/C13	—	-1.5	Notes 4 and 7
CR3(C)	0	6.3	Note 4
Q1(B)	1	.75	Note 8
Q1(C)	0	5.5	Note 4
Q1(E)	.9	.03	Note 8
Q2(B)	0	2.7	Note 4
Q2(C)	2.7	5.6	Note 8
Q2(E)	.06	2	Notes 4 and 5
Q3(B)	2.7	5.6	Note 8
Q3(C)	0	11.8	Note 4
Q3(E)	2.4	4.9	Notes 4 and 6
Q4(B)	0	6.3	Note 4
Q4(C)	0	10.3	Note 4
Q4(E)	0	5.6	Note 4
Q5(B)	2.7	3.1	Note 8
Q5(C)	0	11.8	Notes 8 and 9
Q5(E)	2.8	2.6	Note 8
Q9(B)	2.8	2.8	Note 8, 9
Q9(C)	5.1	11.8	Note 8, 9
Q9(E)	2.5	1.9	Note 8

**NOTES:**

- All voltages taken with 12V oscillator supply.
- Voltages are approximate and will vary slightly from unit-to-unit.
- All ac voltages are sine waves except Q2(E) and Q3(E).
- This dc voltage may be measured with a standard dc voltmeter. All other voltages should be measured with an oscilloscope and high impedance probe to minimize circuit loading.
- Waveform is  .06V.
- Waveform is slightly flattened on the bottom.
- This is the AGC voltage. Value shown is nominal with oscillator operating. If the oscillator is not oscillating, the AGC voltage will be ~+2.5V.
- Measure both ac and dc voltages with an oscilloscope and a high impedance probe to minimize circuit loading.
- AC voltage at Q9(C) measured with 50-ohm load on the output.



NOTES:

1. WHEN RECONNECTING THE THERMISTOR LEADS:
  - A. REMOVE ALL SOLDER FROM THE HOLES.
  - B. INSERT THE THERMISTOR LEADS SO THE WIRE GOES ALL THE WAY THROUGH THE HOLES IN THE FLEX CIRCUIT. THE INSULATION SHOULD SEAT AGAINST THE FLEX CIRCUIT BOARD AS SHOWN BELOW.



2. THE VOLTAGE AT Q6(COLLECTOR) SHOULD BE .57X OVEN SUPPLY VOLTAGE  $\pm 10\%$ . SEE NOTE 9.
3. SEE PARAGRAPH 8-68(B) BEFORE REPLACING THE CRYSTAL, Y1. WHEN REINSTALLING THE CRYSTAL INTO THE OVEN MASS, TIGHTEN MOUNTING NUT TO A TORQUE OF 9 IN-LBS (44 NEWTON-METERS).
4. THERMISTOR ROOM TEMPERATURE RESISTANCE IS APPROXIMATELY 100K. THERMISTOR IS PART OF OVEN MASS (MP 1) AND CANNOT BE REPLACED SEPARATELY. RESISTANCE BETWEEN THERMISTOR AND OVEN MASS SHOULD BE GREATER THAN 100 MEG OHMS.
5. THIS AREA OF THE CIRCUIT BOARD IS HIGH IMPEDENCE. THE AREA MUST REMAIN CLEAN.
6. THE VOLTAGE GAIN FROM Q9(BASE) TO Q9 (COLLECTOR) IS APPROXIMATELY 2 WITH A 50 OHM LOAD ON THE OUTPUT.
7. R20 IS SELECTED TO MATCH CRYSTAL Y1. IF Y1 IS REPLACED, THE SUPPLIED R20 MUST BE USED. SEE PARAGRAPH 8-68(B).
8. ALL VALUES OF CAPACITANCE IN PICOFARADS AND INDUCTANCE IN MICROHENRIES UNLESS OTHERWISE SPECIFIED.
9. ALL VOLTAGES MEASURED WITH 12V TO THE OSCILLATOR CIRCUITS AND 20V TO THE OVEN CIRCUITS.
10. WHEN REINSTALLING Q7 AND Q8 INTO THE OVEN MASS, TIGHTEN THE MOUNTING SCREWS TO 5 IN-LBS (44 NEWTON-METERS). IF Q7 AND/OR Q8 IS TO BE REPLACED, SEE PARAGRAPH 8-18(D).

FOR 10811B ONLY-LID ASSEMBLY (NOT FIELD REPAIRABLE)  
PART NO. 10811-60107

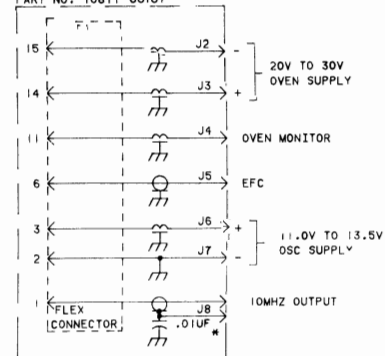
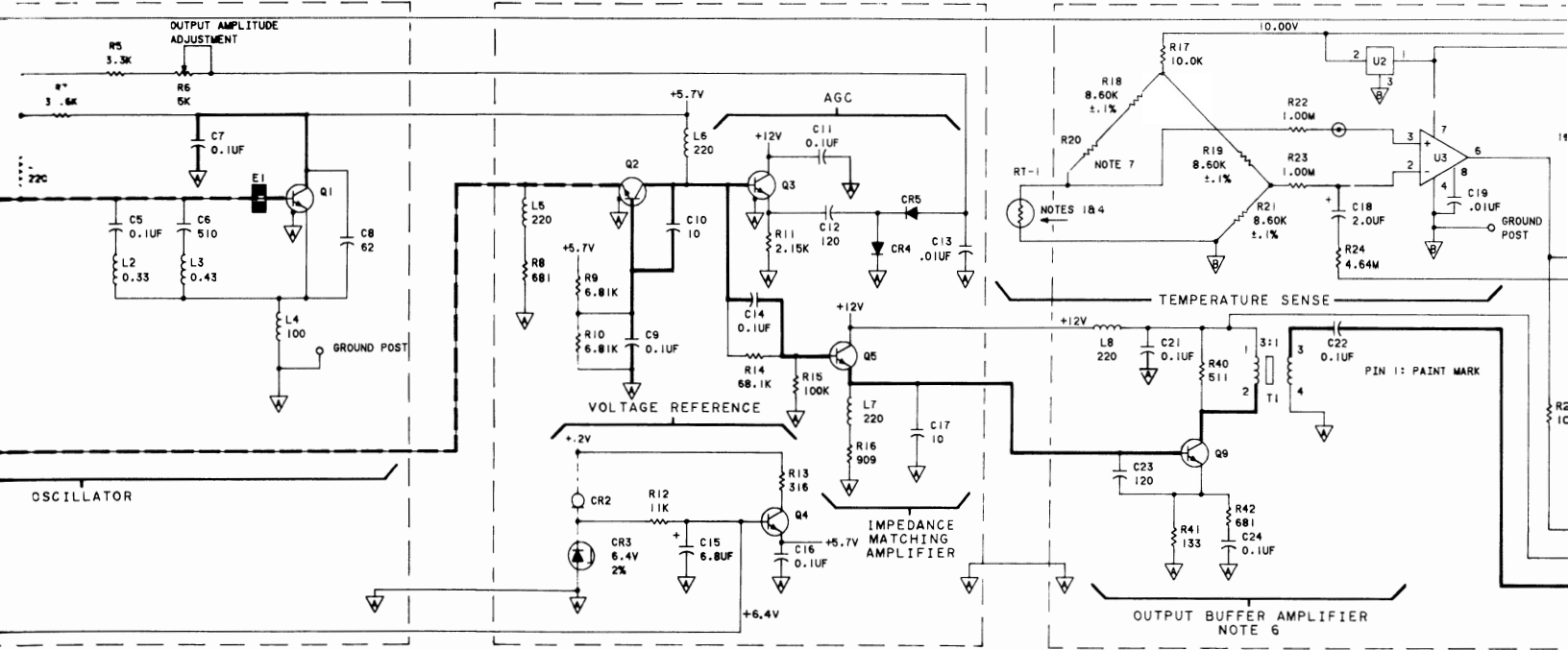
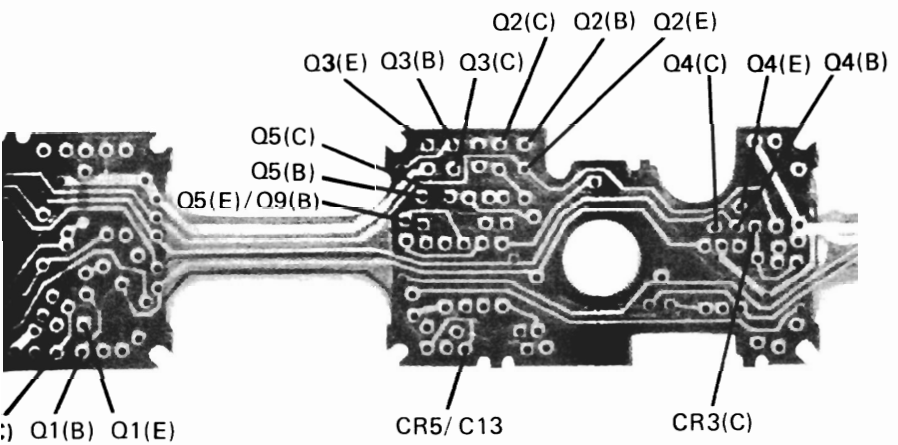


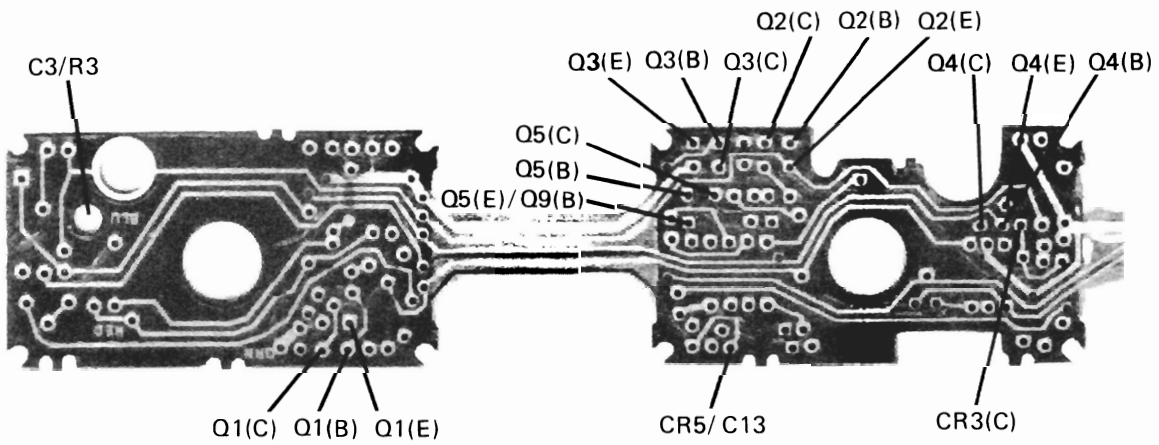
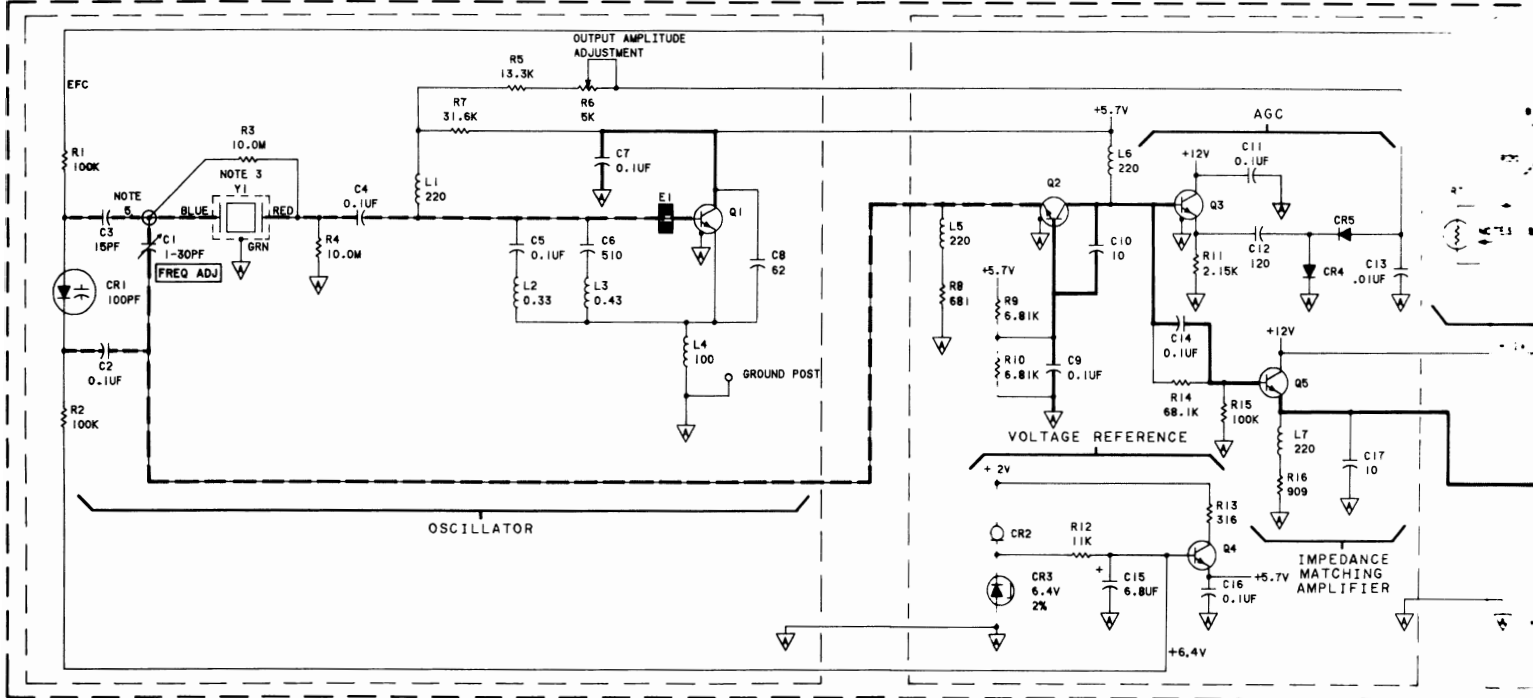
Figure 8-15. 10811A/B Oscillator Schematic Diagram



NOTES:

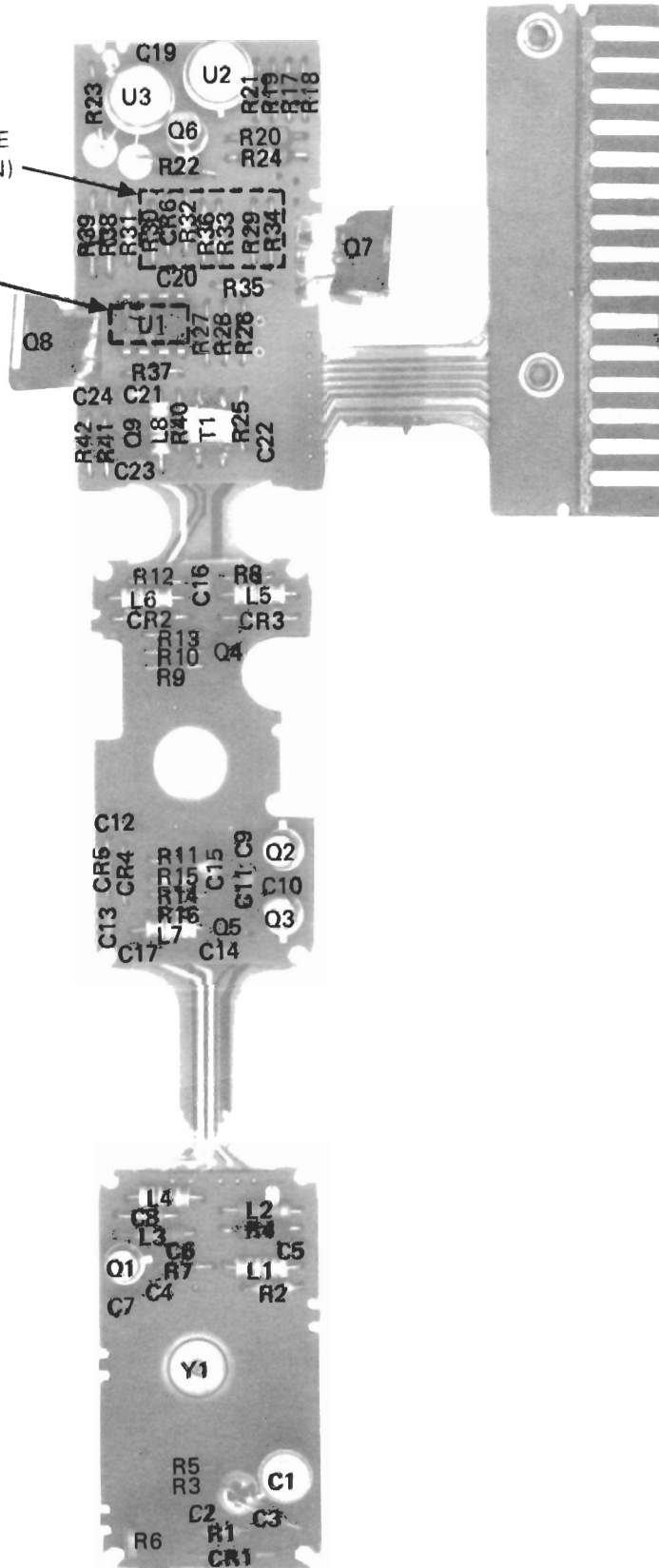
1. WHEN RECONNECTING THE THERMISTOR:
  - A. REMOVE ALL SOLDER FROM THE THERMISTOR HOLES.
  - B. INSERT THE THERMISTOR THROUGH THE HOLES. THE THERMISTOR SHOULD SEAT AGAINST THE BOARD BELOW.
2. THE VOLTAGE AT Q6(C) SHOULD BE  $\pm 10\%$ . SEE NOTE 7.
3. SEE PARAGRAPH 8-68(1) FOR THERMISTOR INSTALLATION. WHEN REINSTALLING THE THERMISTOR, THE MOUNTING NUT TO A THERMISTOR HOLE MUST REMAIN CLEAN.
4. THERMISTOR ROOM TEMPERATURE THERMISTOR T1 CANNOT BE REPLACED BY AN OVERTEMPERATURE THERMISTOR AND OVEN.
5. THIS AREA OF THE CIRCUIT BOARD MUST REMAIN CLEAN.
6. THE VOLTAGE GAIN FROM THE OSCILLATOR TO THE SUPPLIED R20 MUST BE APPROXIMATELY 2 WITHIN  $\pm 10\%$ .
7. R20 IS SELECTED TO MATCH THE SUPPLIED R20 VALUE.
8. ALL VALUES OF CAPACITORS ARE IN MICROHENRIES UNLESS OTHERWISE SPECIFIED.
9. ALL VOLTAGES MEASURED AT ROOM TEMPERATURE AND 20V TO THE OVEN.
10. WHEN REINSTALLING Q6, Q7, Q8, AND/OR Q8 IS TO BE REINSTALLED.





C18 (ABOVE COMPONENTS SHOWN)

F1 (ABOVE U1)





MANUAL PART NUMBER: 10811-90002



HEWLETT  
PACKARD

Printed in U.S.A.



```

* * * * * MANUAL IDENTIFICATION * * * * *
*
* * * * * MANUAL UPDATING COVERAGE * * * * *
*
* This supplement adapts your manual
* to instruments with serial numbers
* prefixed through 3010A.
*
* * * * *
* * * * *
* Instrument:   Model 10811A/B
*              Quartz Crystal
*              Oscillator
*              Operating & Service
*              Manual
* Manual Part No: 10811-90002
* Manual Microfiche: 10811-90003
* Manual Print Date: August 1980
* * * * *

```

**ABOUT THIS SUPPLEMENT**

The information in this supplement is provided to correct manual errors and to adapt the manual to instruments containing changes after the manual print date.

Change and correction information in this supplement is itemized by page numbers corresponding to the original manual pages. The pages in this supplement are organized in numerical order by manual page number.

**HOW TO USE THIS SUPPLEMENT**

Insert this title page in front of the title page in your manual.

Perform all changes specified for "All Serials", and all changes through the Series Prefix of your instrument or board.

Insert any complete replacement pages provided into your manual in the proper location.

If your manual has been updated according to the last edition of this supplement, you need only perform those changes pertaining to the new series prefix. See List of Effective Pages on the reverse side of this page. New information affecting "All Serials" will be indicated by a "#" in front of the page number.

LIST OF EFFECTIVE PAGES

\*\*\*\*\*  
 \* SERIAL PREFIX OR \*  
 \* SERIAL NUMBER PAGES \*  
 \*\*\*\*\*

All Serials	1-2, 1-3, 1-19, 1-20, 1-21, 2-3, 2-4, 2-6 3-2, 4-4, 4-5, 5-6, 4-7, 5-2, 5-3, 5-4, 6-4, 6-6, 8-3, 8-15, 8-16, 8-17, 8-21, 8-25
2048A	6-4, 8-25
2132A	6-4, 8-25
2216A	1-2, 6-6
2244A (10811B only)	1-3, 6-4, 8-25, 5, 6-4, 6-5, 6-6, 8-17, 8-25
2332A (10811A only)	1-3, 6-4, 8-25, 5, 6-4, 6-5, 6-6, 8-17, 8-25
2850A	6-4, 8-17, 8-25
3010A	6-4

-----  
 (10811A)2048A=10783, 2132A=12402/2216A=13375, 14000/2244A, 2332A=14019, 14774  
 15402, 15406, 16197, 16592, 16603, 16626, 16870, 17963/2850A=18971/3010A=20059

## PLEASE NOTE

This instrument incorporates a new method for tracking changes to its circuit boards. Starting July 1, 1988, all circuit boards will be labeled with a unique serial number. The SERIAL number will replace the previously used SERIES number, even though there may have been no change to the circuit board. Thus, if changes were made after July 1, 1988, they will be documented in this change sheet using the new circuit board SERIAL number. Changes made before that time are documented with the SERIES number.

Therefore, Circuit changes described in this change sheet may reference either the older SERIES number or the new SERIAL number. Using both numbers enables this change sheet to support both older and newer products. To determine which changes apply to your instrument, find the instrument's serial number prefix located on the rear panel, and make the manual changes indicated in this change sheet for that serial number prefix. For example, if the serial number is 2804A12345, make changes to the manual indicated for serial prefix 2804.

MANUAL CHANGES MODEL 10811A/B (10811-90002)

SERIAL PREFIX OR  
SERIES NUMBER

CHANGES

INSIDE FRONT COVER - WARRANTY:

All Serials >Add the following:

NOTE

The Oscillators in the Replacement Kits with the following part numbers are covered by Hewlett-Packard's standard 90-day parts warranty:

05061-6170	00105-6112	10544-60041
05065-6097	10544-60040	05245-60038

PAGE 1-2, TABLE 1-1. SPECIFICATIONS:

All Serials >Add asterisks (\*\*) next to the title, "PHASE NOISE RATIO" (table in upper right corner).

Frequency Stability:

>Add asterisks (\*\*) next to the following titles:

"LONG TERM (AGING RATE)"

"SHORT TERM"

"TEMPERATURE"

"GRAVITATIONAL FIELD"

"MAGNETIC FIELD"

Frequency Stability:

>Change Long Term (Aging Rate) to read as follows:

A.  $<5 \times 10^{-10}$  per day after 24-hour warm-up when:

1. oscillator off-time was less than 24 hours
2. oscillator aging rate was  $<5 \times 10^{-10}$  per day prior to turn-off.

B.  $<5 \times 10^{-10}$  per day in less than 30 days of continuous operation for off-time greater than 24 hours.

C.  $<1 \times 10^{-7}$  per year for continuous operation.

>Change the Warmup spec to read as follows:

Within  $5 \times 10^{-9}$  of final value (see below) 10 min after turn-on when:

1. oscillator is operated in a 25-degree C environment with 20-Vdc Oven Supply voltage applied.
2. oscillator off-time was less than 24 hours.
3. oscillator aging rate was  $<5 \times 10^{-10}$  per day prior to turn-off.

Final value is defined as oscillator frequency 24 hours after turn-on.

MANUAL CHANGES MODEL 10811A/B (10811-90002)

SERIAL PREFIX OR  
SERIES NUMBER

CHANGES

PAGE 1-2, TABLE 1-1. SPECIFICATIONS (Cont'd):

>Delete Notes 1 and 2.

>Add the following note to the bottom of the table:

\*\*Various versions of the oscillator may have specifications different from those shown in Table 1-1, Specifications. See Paragraph 1-19 for more details.

Accessories Available:

>Change Service Manual part number from "19811-90002" to "10811-90002".

2216A

Temperature:

>Change  $<4.5 \times 10^{-9}$  to,  $<1.5 \times 10^{-8}$ .

>Change  $<2.5 \times 10^{-9}$  to,  $<7 \times 10^{-9}$ .

Page 1-3. General Information:

All Serials

>Add the following to paragraph 1-16:

**NOTE**

Certain 10811-6XXXX oscillators are not field repairable. See NOTE in Section VIII, page 8-1.

>Replace paragraphs 1-19 through 1-21 with the following:

1-19. SPECIFICATIONS FOR OTHER 10811A/B OSCILLATORS

1-20. There are several versions of the 10811A/B Oscillator. These versions may have specifications that are different from those shown in Table 1-1. These oscillators are labeled with a part number in the form of 10811-6XXXX.

1-21. Table 1-1a lists the oscillators and the specifications which are different from the standard 10811A or 10811B.

MANUAL CHANGES MODEL 10811A/B (10811-90002)

SERIAL PREFIX OR  
SERIES NUMBER

CHANGES

PAGE 1-3. GENERAL INFORMATION (Cont'd):

All Serials

Table 1-1a. Specifications for Other Versions of the 10811A/B

HP Part Number	Frequency Domain	Long Term (Aging Rate)	Gravitational Field	Magnetic Field	Time Domain	Temperature
10811-60101	PDS	PDS	PDS	PDS	PDS	Frequency change less than $7 \times 10^{-9}$ for temperature change of 0 to 71 deg C.
10811-60102	PDS	PDS	PDS	PDS	PDS	Frequency change less than $7 \times 10^{-9}$ for temperature change of 0 to 71 deg C.
10811-60105	NS	$1.5 \times 10^{-9}/\text{day}$	NS	NS	$1 \times 10^{-11}$ at 1 second only	Frequency change less than $7 \times 10^{-9}$ for temperature change of 0 to 71 deg C.
10811-60109	-95 dBc at 1 Hz All other points PDS	PDS	PDS	NS	$2.5 \times 10^{-12}$ at 1 second. All other points PDS	Frequency change less than $7 \times 10^{-9}$ for temperature change of 0 to 71 deg C.
10811-60111	PDS	PDS	NS	NS	$1 \times 10^{-11}$ at second only	Frequency change less than $7 \times 10^{-9}$ for temperature change of 0 to 71 deg C.
10811-60116*	-155 dBc at 1 KHz only	$1.5 \times 10^{-9}/\text{day}$	NS	NS	$1 \times 10^{-11}$ at 1 second only	Frequency change less than $1 \times 10^{-7}$ for temperature change of 0 to 71 deg C.
10811-60209	Hz      dBc 1        -103 10       -133 100      -153 1K       -162 10K      -162	PDS	NS	NS	$1 \times 10^{-11}$ at 1 second only	Frequency change less than $7 \times 10^{-9}$ for temperature change of 0 to 71 deg C.
10811-60211	NS	$7.0 \times 10^{-10}/\text{week}$	NS	NS	$1 \times 10^{-11}$ at 1 second only	Frequency change less than $7 \times 10^{-9}$ for temperature change of 0 to 71 deg C.
<p>* Other 10811-60116 specifications which differ from standard 10811B are:</p> <p>Oscillator Supply Sensitivity: <math>\leq 1 \times 10^{-8}</math> for a 1% change</p> <p>Oven Supply Sensitivity: <math>\leq 1 \times 10^{-9}</math> for a 10% change</p> <p>Coarse Frequency Range: <math>\geq \pm 8 \times 10^{-7}</math> (<math>\pm 8</math> Hz)</p> <p>EFC Range: Not Specified</p> <p>Voltage Output: 0.5 Vrms Nominal (into 50 ohms)</p>						<p>NOTES: NS= Not Specified PDS= Per Data Sheet</p>

MANUAL CHANGES MODEL 10811A/B (10811-90002)

SERIAL PREFIX OR  
SERIES NUMBER

CHANGES

Page 2-3. INSTALLATION

All Serials Oven Monitor LED Circuit:  
>Change the diode and transistor description to "GENERAL PURPOSE SI DIODE AND TRANSISTOR".

Figure 2-3. 10811A Supply and Oven Connections:  
>Add to Note 2: "...and the outer housing".

Page 2-4. Installation:

All Serials Figure 2-4. 10811B Supply and Oven Connections:  
>Change mounting stud screw size from 6-32 to 4-40, in center of the drawing.  
>Add note to table in paragraph 2-22, "For 10811B Only".  
>Add the following table of parts for cable part number 10811-60151 for use with the 10811-60102.

Description	Qty	HP Part No.	Berg Part No.
Connector-Shell	1	1251-4492	65039-031
Connector-Sgl Cont	5	1251-4182	47565
Keying Plug-Post Conn	5	1251-3808	65307-001

Page 2-6. Installation:

All Serials Paragraph 2-36. Environment, Altitude specification:  
>Change the K in Km to lower-case k.

MANUAL CHANGES MODEL 10811A/B (10811-90002)

SERIAL PREFIX OR  
SERIES NUMBER

CHANGES

**Page 3-2 Operation:**

All Serials

Paragraph 3-9f, FREQUENCY ADJUSTMENT PROCEDURE:

>Add a minus sign(-) to the front of the formula as shown:

$$\begin{array}{l} - \frac{\Delta \text{ FREQUENCY}}{\text{FREQUENCY}} = \frac{\Delta \text{ TIME}}{\text{TIME}} \\ \text{OR} \\ - \frac{\Delta F}{f} = \frac{\Delta t}{t} \end{array}$$

>Add a minus sign (-) to the front of the example formula as shown:

$$-\frac{\Delta f}{f} = \frac{1 \text{ div} \times 0.01 \mu\text{s/div.}}{10 \text{ s}} = -1 \times 10^{-9}$$

**Page 4-4. Operational Verification:**

All Serials

Table 4-2. Operational Verification Procedure (Cont'd)

Step 4, Short Term Stability:

>Delete the HP-IB bus line connected to 10811A/B, 5065A and K79-59992A. The HP-IB bus line in the setup figure should connect to the 9825A Calculator and the 5345A Electronic Counter ONLY.

**Page 4-5. Operational Verification:**

All Serials

Table 4-2. Operational Verification Procedure (Cont'd)

Step f, Short-Term Stability:

>Change step "f" to read: "Type the program from Figure 5-1 into the 9825A calculator. (See paragraph 4-13 for use of other controllers and counters)".



MANUAL CHANGES MODEL 10811A/B (10811-90002)

SERIAL PREFIX OR  
SERIES NUMBER

CHANGES

**Page 4-6. Operational Verification:**

All Serials

**OPTIONAL CONTROLLERS AND COUNTERS:**

>Replace Figures 4-1 and 4-2 with figures 4-1 and 4-2 in these Manual Changes. Figure 4-1 should be the HPL program for the 9825A, and Figure 4-2 should be the Basic program for the 9835A. The figures are reversed in the manual.

>Change paragraph 4-15 to read: "Figure 4-2 lists the program for the 9835A Calculator".

**Page 4-7. Operational Verification:**

All Serials

**Table 4-3. 5316A Program Codes:**

>Replace the table with the following:

INTR1ATOGAOWA1RE

**Page 5-2. Adjustments:**

All Serials

**Paragraph 5-13. Offset Calculation:**

>Add a minus sign to the front of the formulas as shown:

$$\begin{aligned} - \frac{\Delta f}{f} &= \frac{\Delta t}{t} \\ - \frac{\Delta f}{f} &= \frac{-5 \times 0.01 \mu\text{s/div.}}{10 \text{ s}} = -5 \times 10^{-9} \end{aligned}$$

Page 4-6, Figures 4-1, 4-2:

```

0:
1: "Short term stability test 10811A/B":
2: "100 Samples is standard value":ent "Enter number of samples",S
3: Ø→L
4: "5345A Codes":wrt 718,"I2E1<:8"
5: "Empty dummy buffer":red 718,A
6: "First measurement":red 718,A
7: Ø→C
8: for L=1 to S
9: "Successive measurements":red 718,B
10: C+(A-B)I2→C
11: B→A
12: fxd Ø
13: dsp L
14: next L
15:
16: flt 1
17: "Short term stability formula":prt "STS=", $\sqrt{C/(2*L)}/1e7$ 
18: gto 5
19: stp
    
```

Figure 4-1. HPL Program

```

10: ! Short term stability test 10811A/B
20: INPUT "Enter number of samples",Samples    !100 Samples is standard value
30: Loop=Ø
40: OUTPUT 7,18;"I2E1<:8"    !5345A Codes
50: ENTER 7,18;A    !Empty dummy buffer
60: ENTER 7,18;A    !First measurement
70: Count=Ø
80: FOR Loop=1 TO Samples
90: ENTER 7,18;B    !Successive measurements
100: Count=Count+(A-B)I2
110: A=B
120: FIXED Ø
130: DISP Loop
140: NEXT Loop
150: PRINTER IS Ø
160: FLOAT 1
170: PRINT "STS=";SQR(Count/(2*Loop))/1E7    !Short term stability formula
180: GOTO 5Ø
190: STOP
    
```

Figure 4-2. BASIC Program

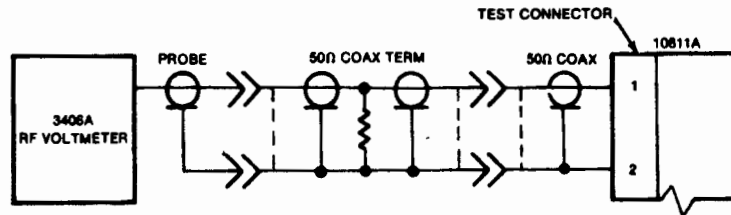
MANUAL CHANGES MODEL 10811A/B (10811-90002)

SERIAL PREFIX OR  
SERIES NUMBER

CHANGES

Page 5-3. Adjustments:

All Serials      Figure 5-2. 10811A Amplitude Adjustment Set-up:  
>Change the figure to match the following figure:



Page 5-4. Adjustments:

All Serials      Step 6, Fifth line:  
>Change the word "Micon" to "SMB".

Figure 5-3. 10811B Amplitude Adjustment Set-up:  
>Change the adapter description from "Micon-BNC" to  
"SMB-BNC".

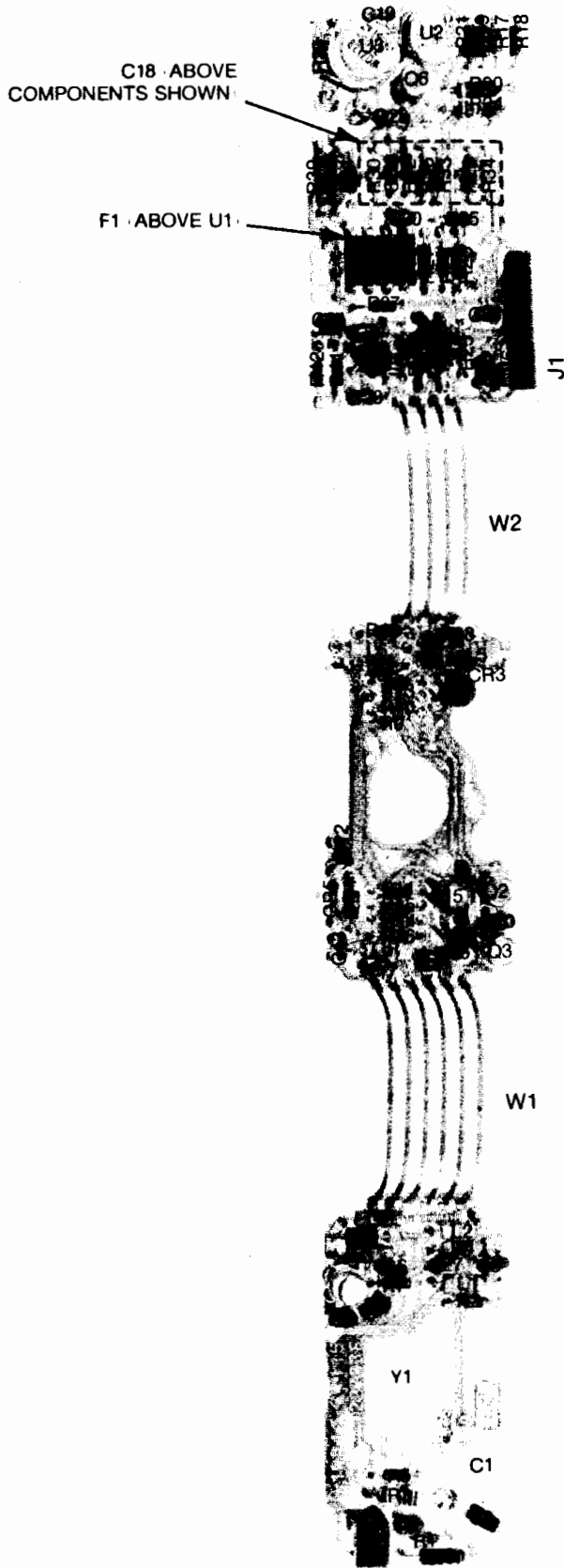
Page 6-1. Replaceable Parts:

All Serials      >Add the following Note before paragraph 6-1:

**NOTE**

Certain 10811-6XXXX oscillators are not field  
repairable. See NOTE in Section VIII, page 8-1.

MANUAL CHANGE MODEL 10811A/B (10811-90002)



Part of Figure 8-15  
10811A/B Component Locator  
SERIES 2244 (10811B)  
SERIES 2332 (10811A)

MANUAL CHANGES MODEL 10811A/B (10811-90002)

SERIAL PREFIX OR  
SERIES NUMBER

CHANGES

Page 6-4, Table 6-1. 10811A/B (10811-60001) Replaceable Parts:

All Serials	>Add 10811-60002 to HP part number 10811-60001. The 10811-60001 is used in the "A" model and the 10811-60002 is used in the "B" model. >Change R6 from 2100-2489, 5K to 2100-2522, 10K R VAR.
2048A	>Change C9 and C11 from 0160-0576 .1UF to 0160-4019, CAPACITOR-FXD .01UF, 50V.
2132A	>Add C25 0160-3277 CAPACITOR-FXD .01UF +-20% 50VDC CER (150-050-X7R-103M).
2244A (10811B) 2332A (10811A)	>Change the HP part number for the 10811B board to 10811-60115 for 10811A/B, Series 2244. >Add C26 0160-3879 CAPACITOR-FXD .01UF +-20% 100VDC CER. >Add C27 0160-3872 CAPACITOR-FXD 2.2PF +- .25PF 200VDC CER. >Add for B only Q7 and Q8 1854-0701 TRANSISTOR NPN SI DARL TO-220AB PD=70W. >Change 10811-60001 to 10811-60115 for 10811A/B. >Add reference designator A1 to 10811-60115 circuit board. >Change Q7, Q8 from 10811-80001 to 1854-0701 TRANSISTOR-NPN SI DARL TO-220AB PD=70W.
2850A	Oscillator Board Assembly Date Code 88471. >Change part number 10811-60115 to 10811-60004. >Change F1 from 2110-0617 to 2110-0801 FUSE-THERMAL 109 DEG C AX UL CSA.
3010A	>Change F1 from 2110-0801 to 10811-80008, FUSE-THERMAL 115 115-DEG C.

Page 6-4, Table 6-1. 10811A/B (10811-60001) Replaceable Parts:

All Series	>Oscillator Replacement Kit 10811-60117 replaces 10811-60001, 10811-60002, and 10811-60115 for service replacement.
------------	---

Page 6-5, Table 6-1. 10811A/B Replaceable Parts:

2244A (10811B)	>Add W1 8120-4013 FLAT RIBBON ASSY, 6-COND.
2332A (10811A)	>Add W2 8120-4014 FLAT RIBBON ASSY, 4-COND. >Add W3 8120-3817 FLAT RIBBON ASSY, 7-COND. (10811A only) >Add note to Y1 "Not part of replacement A1 board".

Reference Designation	HP Part Number	C D	Qty	Description	Mfr Code	Mfr Part Number
A1	10811-60004		1	OSCILLATOR ASSEMBLY (DATE CODE 88471)	28480	10811-60004
C1	0121-0511	6	1	CAPACITOR, TUNING	28480	0121-0511
C2	0160-0576	5	9	CAPACITOR-FXD .1UF +-20% 50VDC CER	28480	0160-0576
C3	0160-4789	0	1	CAPACITOR-FXD 15PF +-5% 100VDC CER 0+-30	28480	0160-4789
C4	0160-0576	5		CAPACITOR-FXD .1UF +-20% 50VDC CER	28480	0160-0576
C5	0160-0576	5		CAPACITOR-FXD .1UF +-20% 50VDC CER	28480	0160-0576
C6	0160-4935	8	1	CAPACITOR-FXD 510PF +-1% 100VDC CER	72982	8121-100-C0G0-511F
C7	0160-0576	5		CAPACITOR-FXD .1UF +-20% 50VDC CER	28480	0160-0576
C8	0160-5110	3	1	CAPACITOR-FXD 62PF +-1% 50VDC CER 0+-30	28480	0160-0576
C9	0160-4019	9	2	CAPACITOR-FXD .01UF +-20% 100VDC CER	28480	0160-4019
C10	0160-3874	2	2	CAPACITOR-FXD 10PF +- .5PF 200VDC CER	28480	0160-3874
C11	0160-4019	9		CAPACITOR-FXD .01UF +-20% 100VDC CER	28480	0160-4019
C12	0160-4512	7	2	CAPACITOR-FXD 120PF +-5% 200VDC CER	51642	200-200-NP0-121J
C13	0160-3879	7	5	CAPACITOR-FXD .01UF +-20% 100VDC CER	28480	0160-3879
C14	0160-0576	5		CAPACITOR-FXD .1UF +-20% 50VDC CER	28480	0160-0576
C15	0180-3066	6	1	CAPACITOR-FXD 6.8UF +-10% 35VDC TA	28480	0180-3066
C16	0160-0576	5		CAPACITOR-FXD .1UF +-20% 50VDC CER	28480	0160-0576
C17	0160-3874	2		CAPACITOR-FXD 10PF +- .5PF 200VDC CER	28480	0160-3874
C18	0160-4947	2	1	CAPACITOR-FXD 2UF +-20% 50VDC MET POLYE		0160-4947
C19	0160-3879	7		CAPACITOR-FXD .01UF +-20% 100VDC CER	28480	0160-3879
C20	0160-3879	7		CAPACITOR-FXD .01UF +-20% 100VDC CER	28480	0160-3879
C21	0160-0576	5		CAPACITOR-FXD .1UF +-20% 50VDC CER	28480	0160-0576
C22	0160-0576	5		CAPACITOR-FXD .1UF +-20% 50VDC CER	28480	0160-0576
C23	0160-4512	7		CAPACITOR-FXD 120PF +-5% 200VDC CER	51642	200-200-NP0-121J
C24	0160-0576	7		CAPACITOR-FXD .1UF +-20% 50VDC CER	28480	0160-0576
C25	0160-3879	7		CAPACITOR-FXD .01UF +-20% 100VDC CER	28480	0160-0576
C26	0160-3879	7		CAPACITOR-FXD .01UF +-20% 100VDC CER	28480	0160-0576
C27	0160-3872	0	1	CAPACITOR-FXD 2.2PF +- .25PF 200VDC CER	28480	0160-3872
CR1	0122-0244	4	1	DIODE-VVC 100PF 5% C4/25-MIN=2 BVR=30	28480	0122-0244
CR2	1901-0869	2	1	DIODE-CUR RGLTR 1N5297 DO=7	04713	1N5297
CR3	1902-0984	4	1	DIODE-ZNR 6.4V 2% DO=7 PD=.4W TC+-.002%	28480	1902-0984
CR4	1901-0535	9	3	DIODE-SCHOTTKY	28480	1901-0535
CR5	1901-0535	9		DIODE-SCHOTTKY	28480	1901-0535
CR6	1901-0535	9		DIODE-SCHOTTKY	28480	1901-0535
E1	9170-0029		1	FERRITE BEAD (FOR Q1)	28480	9170-0029
F1	2110-0801	6	1	FUSE, THERMAL 109-DEG C AX UL CSA	28480	2110-0801
J1	1200-0868	5	1	SOCKET, STRIP 7-CONT SIP DIP-SLDR	28480	1200-0868
L1	9100-2280	5	5	INDUCTOR-CH-MLD 220UH 10% .105DX .26LG	28480	9100-2280
L2	9140-0352	2	1	INDUCTOR-RF-CH-MLD 330NH 1% .105DX .26 LG	28480	9140-0352
L3	9140-0353	3	1	INDUCTOR-RF-CH-MLD 430NH 1% .105DX .26 LG	28480	9140-0353
L4	9100-2276	9	1	INDUCTOR-RF-CH-MLD 100UH 10% .105DX .26LG	28480	9100-2276
L5	9100-2280	5		INDUCTOR-RF-CH-MLD 220UH 10% .105DX .26LG	28480	9100-2280
L6	9100-2280	5		INDUCTOR-RF-CH-MLD 220UH 10% .105DX .26LG	28480	9100-2280
L7	9100-2280	5		INDUCTOR-RF-CH-MLD 220UH 10% .105DX .26LG	28480	9100-2280
L8	9100-2280	5		INDUCTOR-RF-CH-MLD 220UH 10% .105DX .26LG	28480	9100-2280
Q1	1854-0853	3	3	TRANSISTOR, SPL 2N5179	28480	1854-0853
Q2	1854-0853	3		TRANSISTOR, SPL 2N5179	28480	1854-0853
Q3	1854-0853	3		TRANSISTOR, SPL 2N5179	28480	1854-0853
Q4	1854-0831	7	2	TRANSISTOR NPN 2N6429A T0-92 PD=625MW	04713	2N6429A
Q5	1854-0831	7		TRANSISTOR NPN 2N6429A T0-92 PD=625MW	04713	2N6429A
Q6	1854-0023	9	1	TRANSISTOR NPN SI T0-18 PD=360MW	28480	1854-0023
Q7	10811-80001	0	2	TRANSISTOR NPN SI DARL T0-220AB PD=70W	28480	10811-80001
Q8	10811-80001	0		TRANSISTOR NPN SI DARL T0-220AB PD=70W	28480	10811-80001
Q9	1854-0833	9	1	TRANSISTOR NPN PD=600MW FT=600 MHZ	28480	1854-0833
R1	0698-7284	5	5	RESISTOR 100K 1% .05W F TC=0+-100	24546	0698-7284
R2	0698-7284	5		RESISTOR 100K 1% .05W F TC=0+-100	24546	0698-7284
R3	0699-0073	8	2	RESISTOR 10M 1% .125W F TC=0+-100	28480	0699-0073
R4	0699-0073	8		RESISTOR 10M 1% .125W F TC=0+-100	28480	0699-0073
R5	0698-7263	0		RESISTOR 13.3K 1% .05W F TC=0+-100	24546	C3-1/8-T0-1332-G
R6	2100-2522		1	RESISTOR-TRMR 10K 10% C SIDE-ADJ 1-TRM		
R7	0698-7272	1	1	RESISTOR 31.6K 1% .05W F TC=0+-100	24546	C3-1/8-T0-3162-G
R8	0698-7232	3	2	RESISTOR 681 1% .05W F TC=0+-100	24546	C3-1/8-T0-681R-G
R9	0698-7256	1	2	RESISTOR 6.81K 1% .05W F TC=0+-100	24546	C3-1/8-T0-6811-G
R10	0698-7256	1		RESISTOR 6.81K 1% .05W F TC=0+-100	24546	C3-1/8PT0-6811-G-

See introduction to this section for ordering information

Reference Designation	HP Part Number	C D	Qty	Description	Mfr Code	Mfr Part Number
R11	0698-7244	7	1	RESISTOR 2.15K 1% .05W F TC=0+-100	24546	C3-1/8-T0-2151-G
R12	0698-7261	8	1	RESISTOR 11K 1% .05W F TC=0+-100	24546	C3-1/8-T0-1102-G
R13	0698-7224	3	1	RESISTOR 316 1% .05W F TC=0+-100	24546	C3-1/8-T0-6812-G
R14	0698-7280	1	1	RESISTOR 68.1K 1% .05W F TC=0+-100	24546	C3-1/8-T0-1003-G
R15	0698-7284	5	1	RESISTOR 100K 1% .05W F TC=0+-100	24546	C3-1/8-T0-1003-G
R16	0698-7235	6	1	RESISTOR 909 1% .05W F TC=0+-100	24546	C3-1/8-T0-909R-G
R17	0698-7260	7	2	RESISTOR 10K 1% .05W F TC=0+-100	24546	C3-1/8-T0-909R-G
R18	0698-3903	7	5	RESISTOR 8.6K .1% .05W F TC=0+-10	28480	0698-3903
R19	0698-3903	7	1	RESISTOR 8.6K .1% .05W F TC=0+-10	28480	0698-3903
R20*	0698-0096	3	1	RESISTOR 968 1% .125W F TC=0+-100	03888	PH55-1/8-T0-9680-F
R20*	0698-3495	2	1	RESISTOR 866 1% .125W F TC=0+-100	24546	C4-1/8-T0-866R-F
R20*	0698-3512	4	1	RESISTOR 1.18K 1% .125W F TC=0+-100	24546	C4-1/8-T0-1181-F
R20*	0698-3700	2	1	RESISTOR 715 1% .125W F TC=0+-100	24546	C4-1/8-T0-715R-F
R20*	0698-4014	3	1	RESISTOR 787 1% .125W F TC=0+-100	24546	C4-1/8-T0-787R-F
R20*	0698-4196	2	1	RESISTOR 1.07K 1% .125W F TC=0+-100	24546	C4-1/8-T0-1071-F
R20*	0698-4460	3	1	RESISTOR 649 1% .125W F TC=0+-100	24546	C4-1/8-T0-649R-F
R20*	0698-4465	8	1	RESISTOR 931 1% .125W F TC=0+-100	24546	CR-1/8-T0-931R-F
R20*	0698-4469	2	1	RESISTOR 1.15K 1% .125W F TC=0+-100	24546	C4-1/8-T0-1151-F
R20*	0698-5852	9	1	RESISTOR 500 1% .125W R TC=0+-100	24546	C4-1/8-T0-500R-F
R20*	0698-6970	4	1	RESISTOR 1.04K .5% .125W F TC=0+-50	28480	0698-6970
R20*	0698-6973	7	1	RESISTOR 1.25K .25% .125W F TC=0+-25	28480	0698-6973
R20*	0698-6981	7	1	RESISTOR 1.29K .5% .125W F TC=0+-50	28480	0698-6981
R20*	0698-7201	6	1	RESISTOR 34.8 1% .05W F TC=0+-100	24546	C3-1/8-T00-348R-G
R20*	0698-7207	2	1	RESISTOR 61.9 1% .05W F TC=0+-100	24546	C3-1/8-T00-619R-G
R20*	0698-7212	9	1	RESISTOR 100 1% .05W F TC=0+-100	24546	C3-1/8-T0-100R-G
R20*	0698-7214	1	1	RESISTOR 121 1% .05W F TC=0+-100	24546	C3-1/8-T0-121R-G
R20*	0698-7217	4	1	RESISTOR 162 1% .05W F TC=0+-100	24546	C3-1/8-0-162R-G
R20*	0698-7219	6	1	RESISTOR 196 1% .05W F TC=0+-100	24546	C3-1/8-T0-196R-G
R20*	0698-7220	9	2	RESISTOR 215 1% .05W F TC=0+-100	24546	C3-1/8-T0-215R-G
R20*	0698-7222	1	1	RESISTOR 261 1% .05W F TC=0+-100	24546	C3-1/8-T0-261R-G
R20*	0698-7223	2	1	RESISTOR 287 1% .05W F TC=0+-100	24546	C3-1/8-T0-287R-G
R20*	0698-7224	3	2	RESISTOR 316 1% .05W F TC=0+-100	24546	C3-1/8-T0-316R-G
R20*	0698-7225	4	1	RESISTOR 348 1% .05W F TC=0+-100	24546	C3-1/8-T0-348R-G
R20*	0698-7226	5	1	RESISTOR 383 1% .05W F TC=0+-100	24546	C3-1/8-T0-383R-G
R20*	0698-7227	6	1	RESISTOR 422 1% .05W F TC=0+-100	24546	C3-1/8-T0-422R-G
R20*	0698-7228	7	1	RESISTOR 464 1% .05W F TC=0+-100	24546	C3-1/8-T0-464R-G
R20*	0698-7229	8	2	RESISTOR 511 1% .05W F TC=0+-100	24546	C3-1/8-T0-511R-G
R20*	0698-7230	1	1	RESISTOR 562 1% .05W F TC=0+-100	24546	C3-1/8-T0-562R-G
R20*	0698-7231	2	1	RESISTOR 619 1% .05W F TC=0+-100	24546	C3-1/8-T0-619R-G
R20*	0698-7232	3	4	RESISTOR 681 1% .05W F TC=0+-100	24546	C3-1/8-T0-681R-G
R20*	0698-7233	4	1	RESISTOR 750 1% .05W F TC=0+-100	24546	C3-1/8-T0-750R-G
R20*	0698-7234	5	1	RESISTOR 825 1% .05W F TC=0+-100	24546	C3-1/8-T0-825R-G
R20*	0698-7235	6	2	RESISTOR 909 1% .05W F TC=0+-100	24546	C3-1/8-T0-909R-G
R20*	0698-7236	7	1	RESISTOR 1K 1% .05W F TC=0+-100	24546	C3-1/8-T0-1001-G
R20*	0698-7237	8	1	RESISTOR 1.1K 1% .05W F TC=0+-100	24546	C3-1/8-T0-1101-G
R20*	0698-7238	9	1	RESISTOR 1.21K 1% .05W F TC=0+-100	24546	C3-1/8-T0-1211-G
R20*	0698-7239	0	1	RESISTOR 1.33K 1% .05W F TC=0+-100	24546	C3-1/8-T0-1331-G
R20*	0757-1100	8	1	RESISTOR 600 1% .125W F TC=0+-100	24546	C3-1/8-T0-601-F
R21	0698-3903	7	1	RESISTOR 8.6K .1% .05W F TC=0+-10	28480	0698-3903
R22	0698-8827	4	2	RESISTOR 1M 1% .125W F TC=0+-100	28480	0698-8827
R23	0698-8827	4	1	RESISTOR 1M 1% .125W F TC=0+-100	28480	0698-8827
R24	0699-0071	6	1	RESISTOR 4.64M 1% .125W F TC=0+-100	28480	0699-0071
R25	0698-7273	2	1	RESISTOR 34.8K 1% .05W F TC=0+-100	24546	CE-1/8-T0-3482-G
R26	0698-3903	7	1	RESISTOR 8.6K .1% .05W F TC=0+-10	28480	0698-3903
R27	0698-3903	7	1	RESISTOR 8.6K 1% .05W F TC=0+-10	28480	0698-3903
R28	0698-7260	7	1	RESISTOR 10K 1% .05W F TC=0+-100	24546	C3-1/8-T0-1962-G
R29	0698-7260	7	1	RESISTOR 10K 1% .05W F TC=0+-100	24546	C3-1/8-T0-1002-G
R30	0698-7267	1	1	RESISTOR 19.6K 1% .05W F TC=0+-100	24546	C3-1/8-T0-1962-G
R31	0698-7220	9	1	RESISTOR 215 1% .05W F TC=0+-100	24546	C3-1/8-T0-215R-G
R32	0698-7250	5	2	RESISTOR 3.8K 1% .05W F TC=0+-100	24546	C3-1/8-T0-3831-G
R33	0698-7284	5	1	RESISTOR 100K 1% .05W F TC=0+-100	24546	C3-1/8-T0-1003-G
R34	0698-7247	0	1	RESISTOR 2.87K 1% .05W F TC=0+-100	24546	CE-1/8-T0-3831-G
R35	0698-7250	5	1	RESISTOR 3.83K 1% .05W F TC=0+-100	24546	C3-1/8-T0-3831-G
R36	0698-7284	5	4	RESISTOR 100K 1% .05W F TC=0+-100	24546	CE-1/8-T0-1003-G
R37	0698-7232	3	1	RESISTOR 681 1% .05W F TC=0+-100	24546	C3-1/8-T0-681R-G
R38	0698-8812	7	2	RESISTOR 1 1% .125W F TC=0+-100	28480	0698-8812
R39	0698-8812	7	1	RESISTOR 1 1% .125W F TC=0+-100	28480	0698-8812
R40	0698-7229	8	1	RESISTOR 511 1% .05W F TC=0+-100	24546	

See introduction to this section for ordering information

Reference Designation	HP Part Number	C D	Qty	Description	Mfr Code	Mfr Part Number
R41	0698-7215	2	1	RESISTOR 133 1% .05W F TC=0+-100	24546	C3-1/8-T0-133R-G
R42	0698-7232	3		RESISTOR 681 1% .05W F TC=0+-100	24546	CE-1/8-T0-681R-G
T1	9100-0423	4	1	TRANSFORMER RF WIND 9T PRI & 3T SEC	28480	9100-0423
U1	1826-0611	2	1	IC OP AMP GP DUAL 8-DIP-P	27014	LM2904N
U2	1826-0316	4	1	V REF T0-5	27014	LM0070-1H
U3	1826-0072	9	1	IC OP AMP LOW-BIAS-H-IMP0 T0-99	07263	UA208H
W1	8120-4013	7	1	CABLE, UNSHIELDED 6-COND	28480	8120-4013
W2	8120-4014	8	1	CABLE, UNSHIELDED 4-COND	28480	8120-4014
XF1	1251-2501	5	2	CONNECTOR-SGL CONT .022-IN-BSC-SC	28480	1251-2501
Y1	10811-60108	7	1	CRYSTAL-10MHZ W/R20 TEMP SET (REPAIR ONLY)	28480	10811-60108
	3050-0588	9	1	WASHER-FLAT #6 NM .145 IN-ID-IN-ID	28480	3050-0588

See introduction to this section for ordering information



MANUAL CHANGES MODEL 10811A/B (10811-90002)

SERIAL PREFIX OR  
SERIES NUMBER

CHANGES

Page 6-6, Table 6-1. Replaceable Parts (Cont'd)

All Serials	10811A Miscellaneous Parts: >Change Mfr Part Number for NYLON INSULATOR to 3050-0791. >Change the INFO LABEL 10811-60101 part number from 7120-0331 to 7121-0331 and shift the MFR CODE and MFR PART NUMBER down one space. >Add 3050-0756, Qty 1, WASHER-INSULATED.  10811B Miscellaneous Parts: >Change the 05060-6116 to "ADAPTER SMB-BNC" in the description column and in the note following the description. >Add 3050-0756, Qty 1, WASHER-INSULATED.
2216A	10811A/B Transistor Mounting Hardware: >Change NYLON INSULATOR TO 3050-1021; WASHER SHLDR.
2244A (10811B) 2332A (10811A)	10811A/B Circuit Board Miscellaneous Parts: >Add reference designator J1 to 1200-0868. >Add A2, 10811-60003 EDGE CONNECTOR.
2850A	>Add the following transistor mounting hardware:  0340-0765 TRANSISTOR INSULATOR 2200-0139 SCREW 4-40 X .250 3050-0229 WASHER, FLAT 3050-1021 WASHER, SHOULDER 3050-1301 WASHER, BELLEVILLE SPRING

Page 8-1. Service:

All Serials	>Add the following Note above paragraph 8-1: <b>NOTE</b> REPAIR OF 10811-6XXXX OSCILLATORS: Should a failure occur in the 10811 High Stability Time Base Oscillator assembly, this assembly should be replaced with a restored unit or a new unit. Repairs to the oscillator are strongly discouraged because of the difficulty in reconfirming the oscillator's specifications after repair.  10811 Oscillator parts list and schematic included in this manual are for reference only.
-------------	---

MANUAL CHANGES MODEL 10811A/B (10811-90002)

SERIAL PREFIX OR  
SERIES NUMBER

CHANGES

Page 8-3. Figure 8-2. 10811A/B OVERALL BLOCK DIAGRAM:

All Serials >Change the second from the top AGC connection from  
"AGC" to "10 MHz".  
>Change the 44 Newton metres to .452 Newton metres in NOTE.

Page 8-6. Service:

All Serials Figure 8-7. Automatic Gain Control (AGC)  
>Change "+5.7V" to "+12V" at Q3.

Page 8-7. Service:

All Serials >Change "Q5" to "Q4" in last line of paragraph 8-26.

Page 8-8. Service:

All Serials Figure 8-9. Voltage References:  
>Change "Q5" to "Q4"

Page 8-13. Service

All Serials >Change "removed to thermal fuse" to "removed the thermal  
fuse" in caution at top of page.  
>Add the following Note before paragraph 8-57:  
**NOTE**  
Certain 10811-6XXXX oscillators are not field  
repairable. See NOTE in Section VIII, page 8-1.  
>Change the 44 Newton metres to .452 Newton metres in NOTE.

Page 8-15. Service:

All Serials >Change the beginning of the sentence to read "A SMB to  
BNC...".

Page 8-16. Service:

All Serials Paragraph 8-68, part b:  
>Change "44 Newton-meters" in second from last line to  
".452 Newton-meters".

2332A Table 8-1. Temperature Set Resistor List:  
>Change last two entries from "jumper" to 8159-0005 RESISTOR  
ZERO OHMS 22 AWG LEAD DIA.

SERIAL PREFIX OR  
SERIES NUMBER

CHANGES

Page 8-17. Service:

- All Serials Paragraph 8-68, part d:  
>Change "44 Newton-meters" in second from last line to ".452 Newton-meters".
- 2244A (10811B) Special Replacement Considerations, step d:  
2332A (10811A) >Change part number 10811-80001 to 1854-0701.  
>Delete "have formed leads for easy installation". Sentence should now read "The replacement transistor for Q7 and Q8 is 1854-0701."
- 2850A >Change "44 Newton-metres (5 in.-lbs.)" to ".452 Newton-metres (4 lbf-in.)" in step d.  
>Change paragraph "d" to paragraph "e".  
>Add paragraph d:  
d. Thermistor Lead Routing. When assembling oven controller board into oven mass, thermistor leads should be routed between oven mass and foam wafer as shown in figure 8-13a, section A-A.

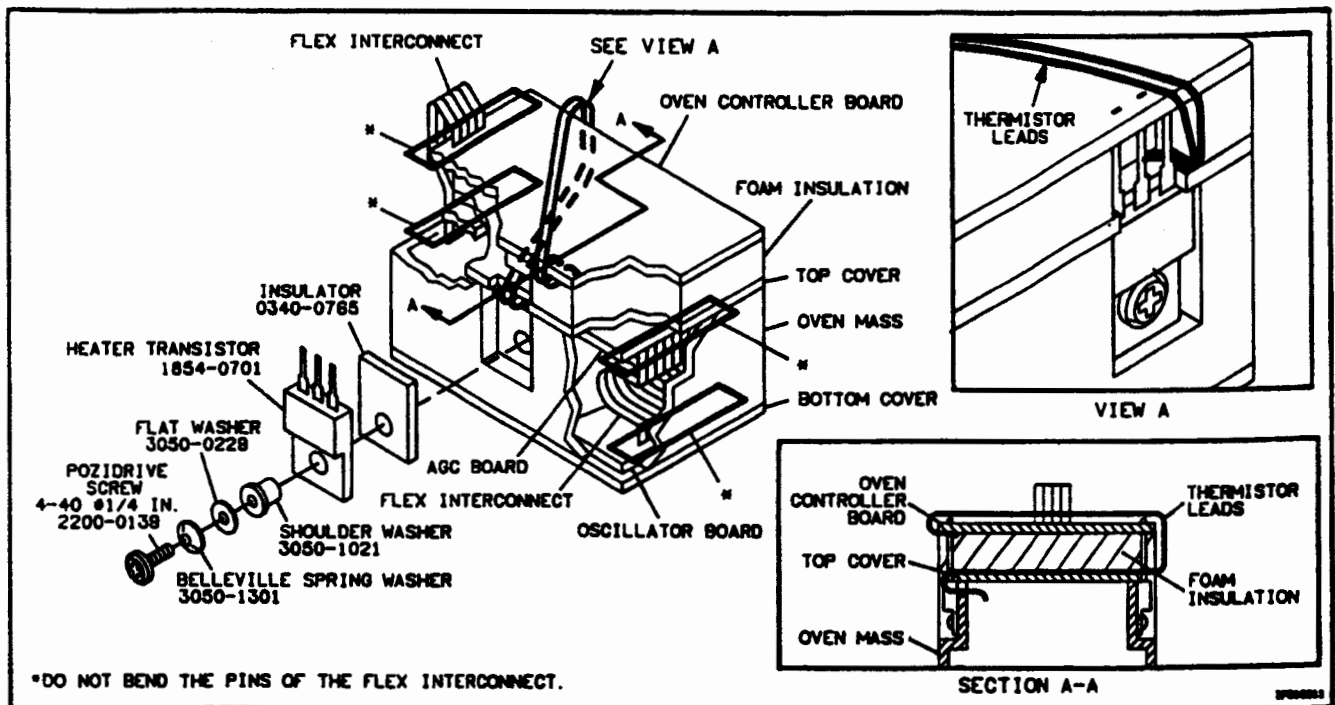


Figure 8-13a. OSCILLATOR ASSEMBLY

This placement of thermistor leads improves frequency-versus-temperature stability. When oven controller

MANUAL CHANGES MODEL 10811A/B (10811-90002)

SERIAL PREFIX OR  
SERIES NUMBER

CHANGES

**Page 8-17. Service (Continued):**

2850A

Paragraph d (continued):

board, foam wafer, and oven mass are assembled they should appear as in view A of figure 8-13a.

>Replace paragraph 8-68e with the following:

- e. Oven heater transistors Q7 and Q8: Install each transistor as shown in Figure 8-13a. Torque to 4 lbf.in. (.452 N.m.) using hand torque screwdriver.

Transistors must be centered in slots to insure that leads will line up with oven board holes later. Pay careful attention to the direction you install the Belleville spring washer; it must be installed with curvature as shown.

**Page 8-20. Service:**

All Serials      Change "paragraph 8-58" to "paragraph 8-59" in paragraph 8-90.

**Page 8-21. Service:**

All Serials      Paragraph 8-96, third line:  
>Change Q6(C) to Q2(C).

**Page 8-22. Service:**

All Serials      Change "Table 4-3" to "Table 4-2" in paragraph 8-101.

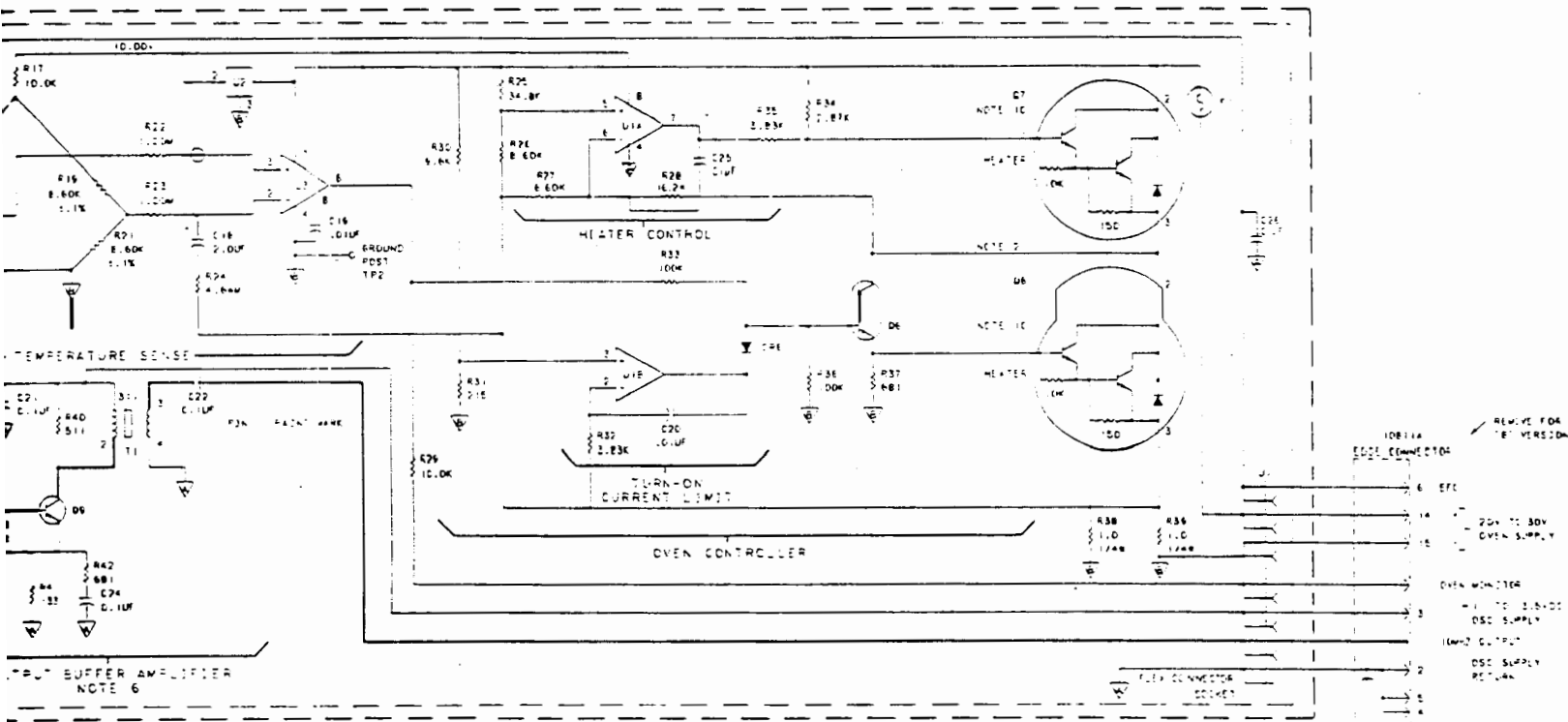
MANUAL CHANGES MODEL 10811A/B (10811-90002)

SERIAL PREFIX OR  
SERIES NUMBER

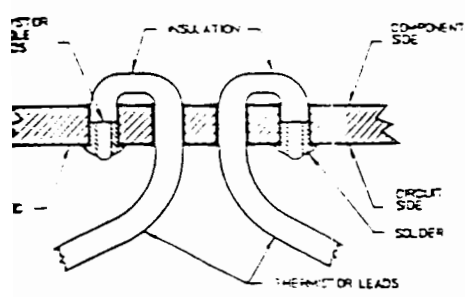
CHANGES

Page 8-25. Figure 8-15. 10811A/B OSCILLATOR COMPONENT LOCATOR/SCHEMATIC  
DIAGRAM:

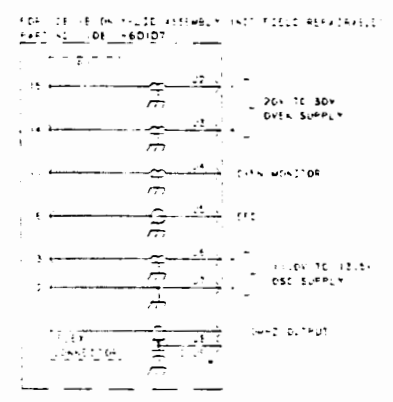
- |                |  |
|----------------|--|
| All Serials    | <ul style="list-style-type: none"> <li>&gt;Change the Series number of the diagram to 2028.</li> <li>&gt;Complete the connections between U3(7) and U2(1).</li> <li>&gt;Complete the connection between R30 and the junction of R25 and U2(1).</li> <li>&gt;Add a circle to signify a teflon standoff at the junction of R23, C18, and U3 pin 2.</li> <li>&gt;Change 2nd line of note 10 from "(44 NEWTON-METERS)" to (.6 NEWTON-METERS).</li> <li>&gt;Change "SEE PARAGRAPH 8-18(D)" to "SEE PARAGRAPH 8-68(d)" in the last line of Note 10.</li> </ul>   |
| 2048A          | <ul style="list-style-type: none"> <li>&gt;Change the series number at the top of the diagram to 2048.</li> <li>&gt;Change the value of both C9 and C11 to .01U.</li> </ul>  |
| 2132A          | <ul style="list-style-type: none"> <li>&gt;Change the series number at the top of the diagram to 2132.</li> <li>&gt;Add C25, .01UF CAPACITOR, between pins 6 and 7 of U1A.</li> </ul>  |
| 2244A (10811B) | <ul style="list-style-type: none"> <li>&gt;Add the attached component locator .</li> </ul>   |
| 2332A (10811A) | <ul style="list-style-type: none"> <li>&gt;Add C26 next to F1 in the upper right-hand corner of the schematic. Connect one side of C26 to the line that goes to PIN6 of the EDGE CONNECTOR and the other side to ground A.</li> <li>&gt;Add C27 (2.2 pF) in parallel to L1.</li> <li>&gt;Change 10811-60001 for 10811A to 10811-60115, series 2244.</li> <li>&gt;Add Pin 1 callout to edge connector photo. Pin 1 is end pin nearest W3.</li> <li>&gt;Add A2 reference designator to Edge Connector board in photograph.</li> <li>&gt;Add W1 reference designator to 6-COND Flat Ribbon Assy between Oscillator and AGC.</li> <li>&gt;Add W2 reference designator to 4-COND Flat Ribbon Assy between AGC and Oven Controller.</li> <li>&gt;Add W3 reference designator to 7-COND Flat Ribbon Assy between Oven Controller and Edge Connector.</li> </ul> |
| 2850A          | <ul style="list-style-type: none"> <li>&gt;Replace 10811-60015 (Series 2244) component locator/schematic diagram with new 10811-60004 (Date Code 88471) component locator and schematic diagram supplied in these manual changes.</li> </ul>   |



When reconnecting the thermistor leads:  
Inspect bare wire at end of insulation for nicks or other damage.  
If damaged, clip off and carefully strip a new end.  
Insert thermistor leads into holes in pc board as shown in figure below.  
Both wire and insulation should be inserted into hole where leads are to be soldered. Bend wires so they will stay in place. Solder from top side of board.  
Clip leads as close to solder joint as possible.

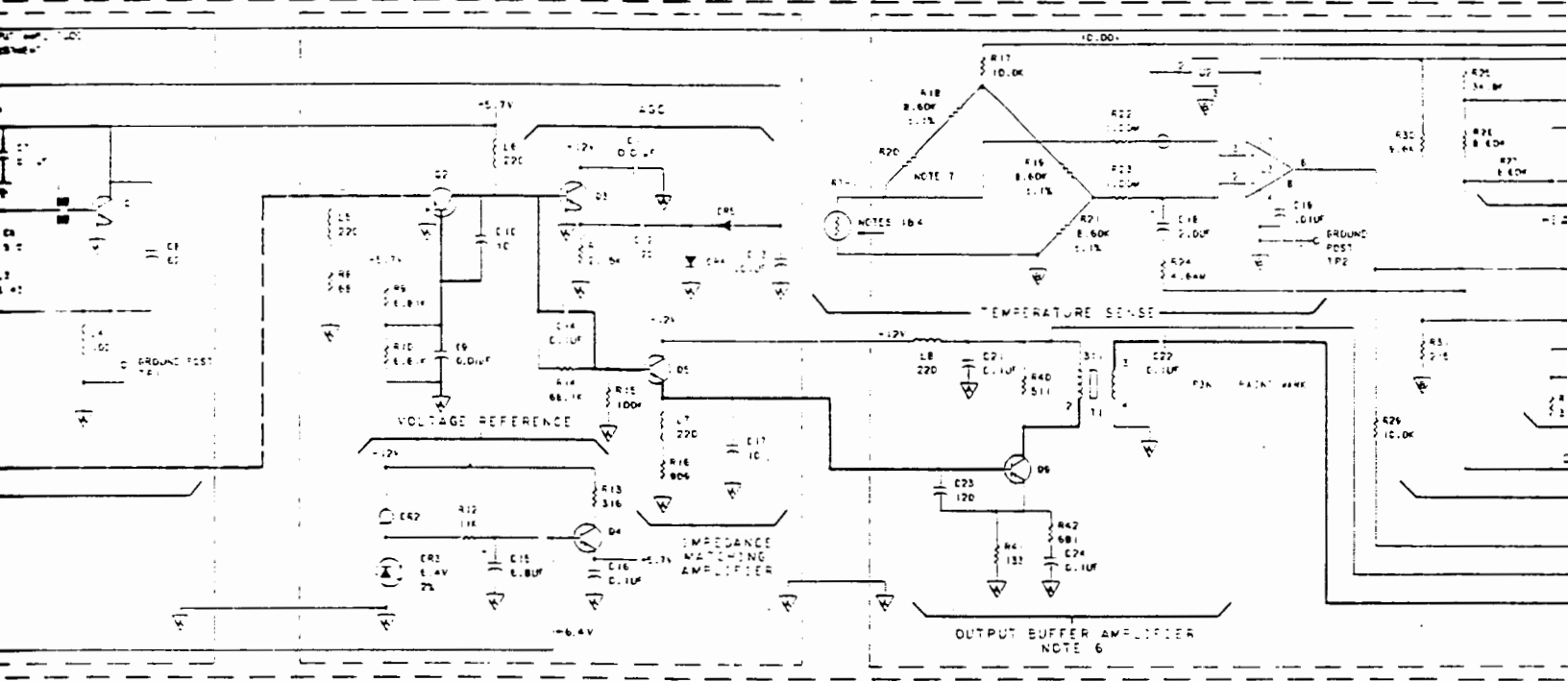


4. Thermistor room temperature resistance is approximately 100K. Thermistor is part of oven mass (MP1) and cannot be replaced separately. Resistance between thermistor and oven mass should be greater than 100 MΩ.
5. This area of the circuit board is high impedance. The area must remain clean.
6. The voltage gain from Q9 (base) to Q9 (collector) is approximately 2 with a 50Ω load on the output.
7. R20 is selected to match crystal Y1. If Y1 is replaced, the supplied R20 must be used. See paragraph 8-68(B).
8. All values of capacitance in picofarads and inductance in microhenries unless otherwise specified.
9. All voltages measured with 12V to the oscillator circuits and 20V to the oven circuits.
10. When reinstalling Q7 and Q8 into the oven mass, tighten the mounting screws to 4 lbf.in (.452 NM). If Q7 and/or Q8 is to be replaced, see paragraph 8-68D.



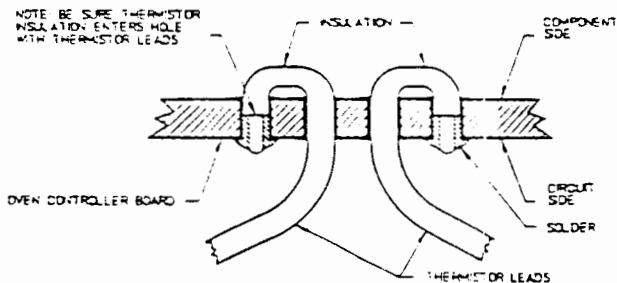
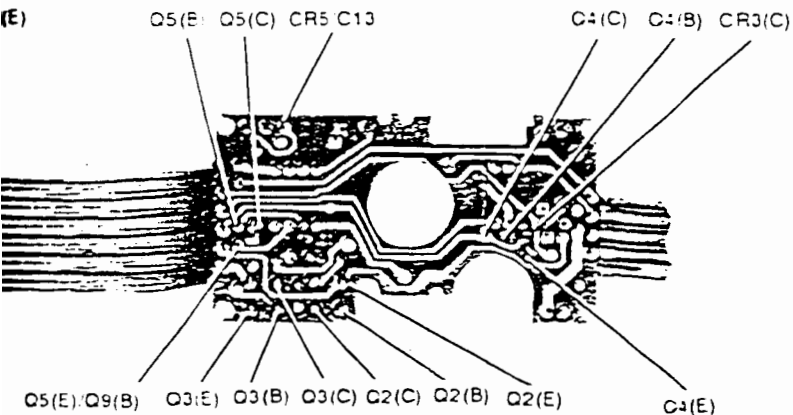
Voltage at Q6 (collector) should be .57X supply voltage  $\pm 10\%$ . See Note 9.  
See paragraph 8-68(B) before replacing the crystal Y1. When reinstalling the crystal into oven mass, tighten mounting nut to a torque of 5 lbf.in (.525 NM).

Figure 8-27. Oven Oscillator Circuit Assembly (10811-60004, Date Code 88471)

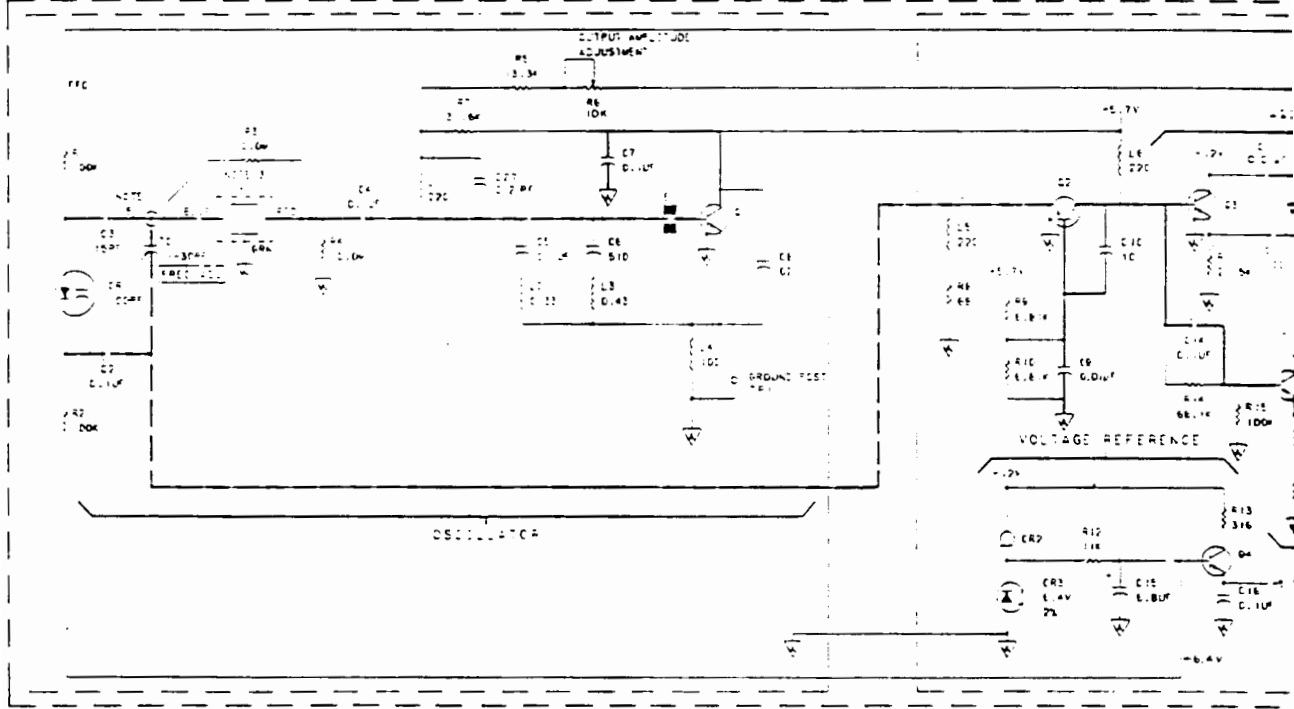


**NOTES:**

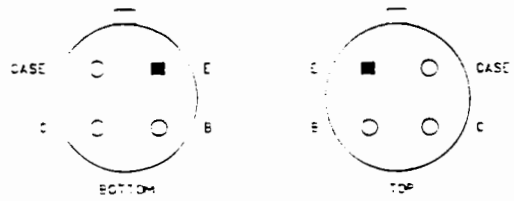
1. When reconnecting the thermistor leads:
  - A. Inspect bare wire at end of insulation for nicks or other damage.
  - B. If damaged, clip off and carefully strip a new end.
  - C. Insert thermistor leads into holes in pc board as shown in figure below.
  - D. Both wire and insulation should be inserted into hole where leads are to be soldered. Bend wires so they will stay in place. Solder from top side of board. Clip leads as close to solder joint as possible.



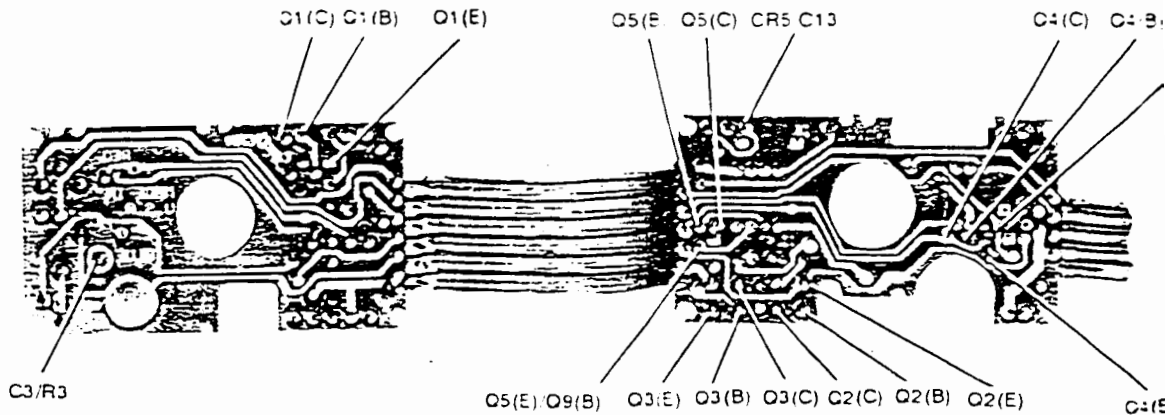
2. The voltage at Q6 (collector) should be .57X oven supply voltage  $\pm 10\%$ . See Note 9.
3. See paragraph 6-6E(B) before replacing the crystal Y1. When reinstalling the crystal into the oven mass, tighten mounting nut to a torque of 5 lbf.in (.565 N:M).



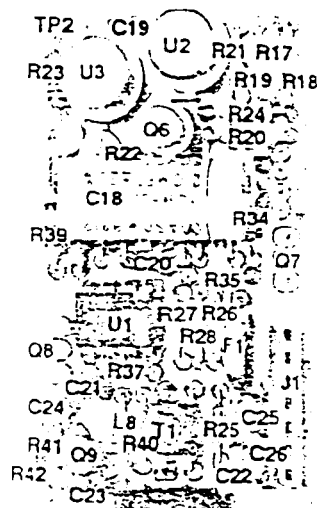
Q1, Q2, Q3



ELW141







R30	R31	R30	CR6	R32	R36	R33	R29
-----	-----	-----	-----	-----	-----	-----	-----

THESE COMPONENTS UNDER C18

