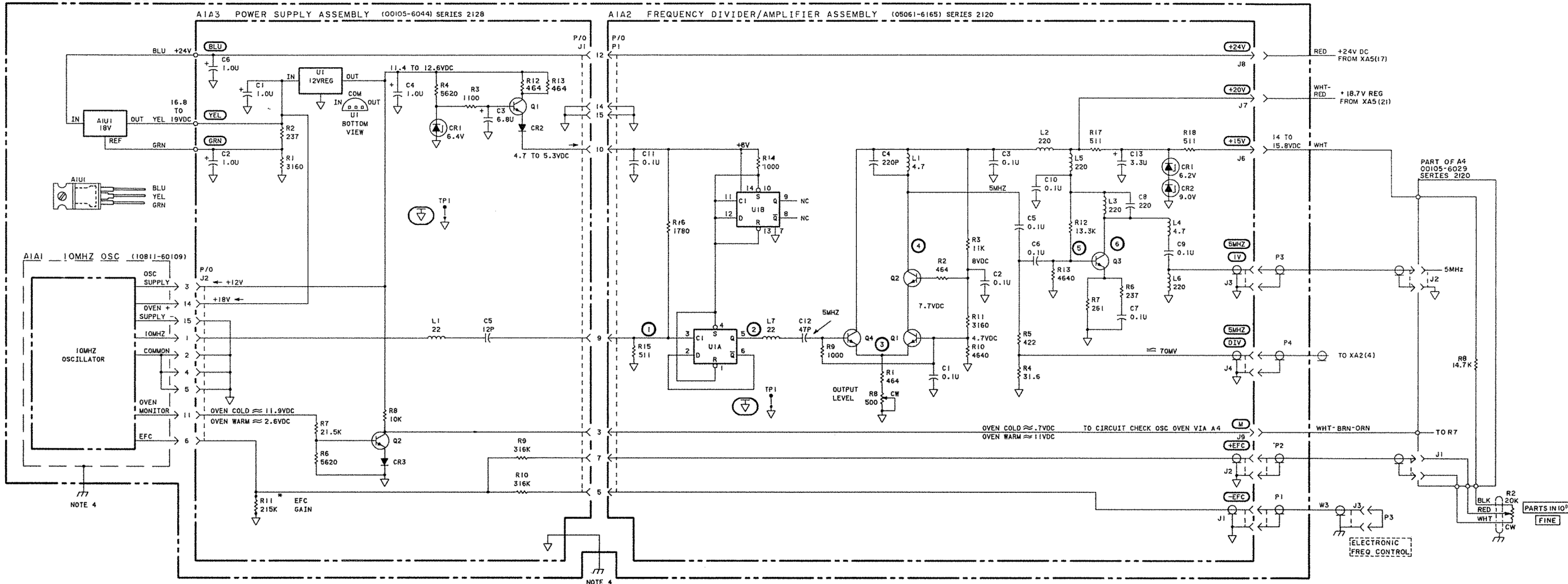


Figure 7-10
 A5 105B Power Supply Assembly
 (00105-6047 Date Code 88471)
 Schematic Diagram

A1 OSCILLATOR ASSEMBLY (00105-6100) SERIES 2128



- NOTES:
1. REFERENCE DESIGNATIONS WITHIN THIS ASSEMBLY ARE ABBREVIATED. ADD ASSEMBLY NUMBER TO ABBREVIATION FOR COMPLETE DESCRIPTION.
 2. UNLESS OTHERWISE INDICATED: RESISTANCE IN OHMS; CAPACITANCE IN FARADS; INDUCTANCE IN MICROHENRIES.
 3. * INDICATES FACTORY SELECTED VALUE.
 4. CHASSIS CONNECTIONS MADE BY A1 MOUNTING SCREWS.
 5. ALL VOLTAGES AND WAVEFORMS TAKEN WITH 20VDC INPUT TO "20V" TERMINAL (J1) AND OUTPUT LEVEL SET TO 1.1V RMS INTO 50 OHMS AT "5MHZ IV" TERMINAL (J3).

REFERENCE DESIGNATIONS

NO PREFIX	A1A1	A1A2	A1A3
P1-4	SEE 10811A OPERATING AND SERVICE MANUAL	C1-13 CR1,2 J1-9,9-9 L1-7	C1-6 CR1-3 J1,2 L1
R2		Q1-4 R1-18 TP1 UI	Q1,2 R1-4,6-13 TP1 UI

NOT ASSIGNED: A1A2J5, A1A3R5

TABLE OF ACTIVE ELEMENTS

CIRCUIT REF.	HP AND MFR PART NO.
A1U	1826-0390 (LM317T)
A1A2CR1	1902-0033 (1N823)
A1A2CR2	1902-0787 (1N938)
A1A2Q1-Q4	1854-0215 (2N3904)
A1A2U1	1820-0077 (5N7474N)
A1A3CR1	1902-0984
A1A3CR2,CR3	1902-0050
A1A3Q1	1854-0831 (2N6429A)
A1A3C2	1854-0215 (2N3904)

NOTE--ALL TRANSISTORS ARE NPN SILICON

Part of Figure 7-3
A1 Oscillator Assembly
(00105-6100 SERIES 2128)
Page 7-5