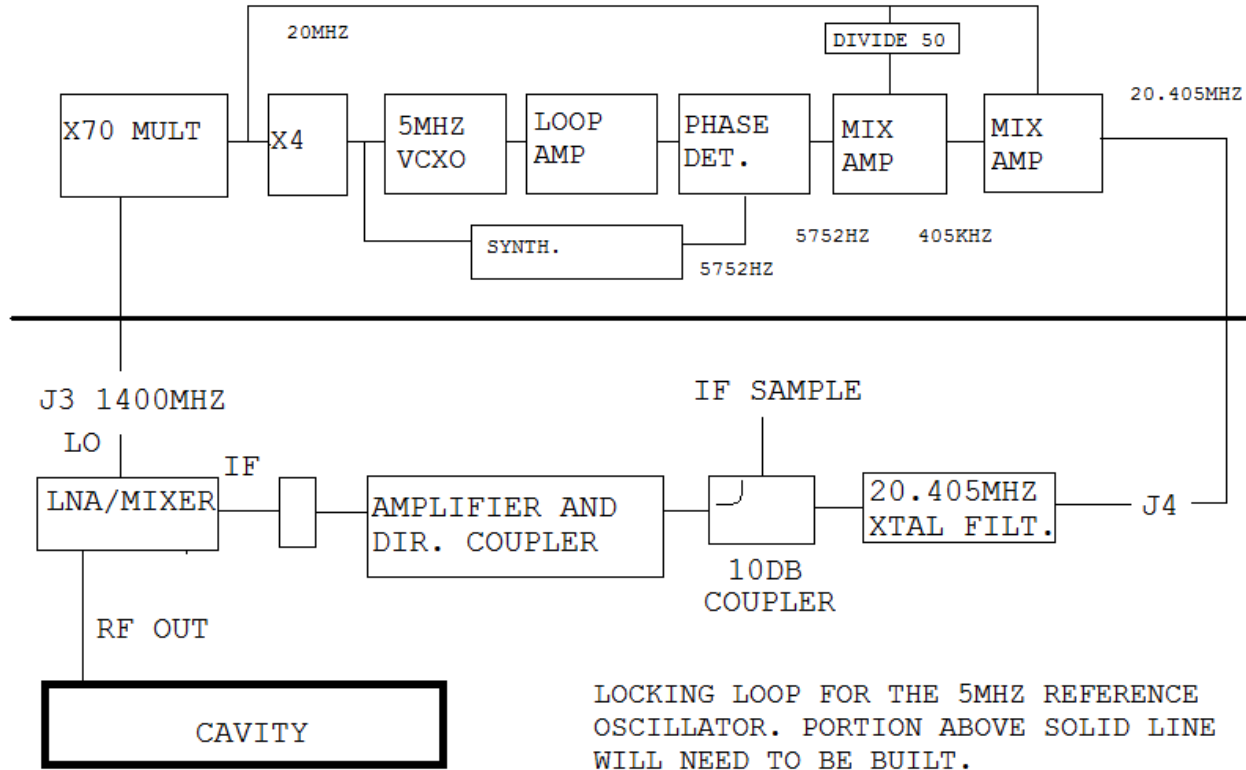


UPDATE 2 - LOCKING LOOP FOR THE 5MHZ VCXO



Gain of LNA mixer is +40db (with -100dbm in)

Gain of amplifier and dir. Coupler is +29db

XTAL filter I.L. is 2.5db

Design of the upper circuit is an estimate as there are several ways to make it work.